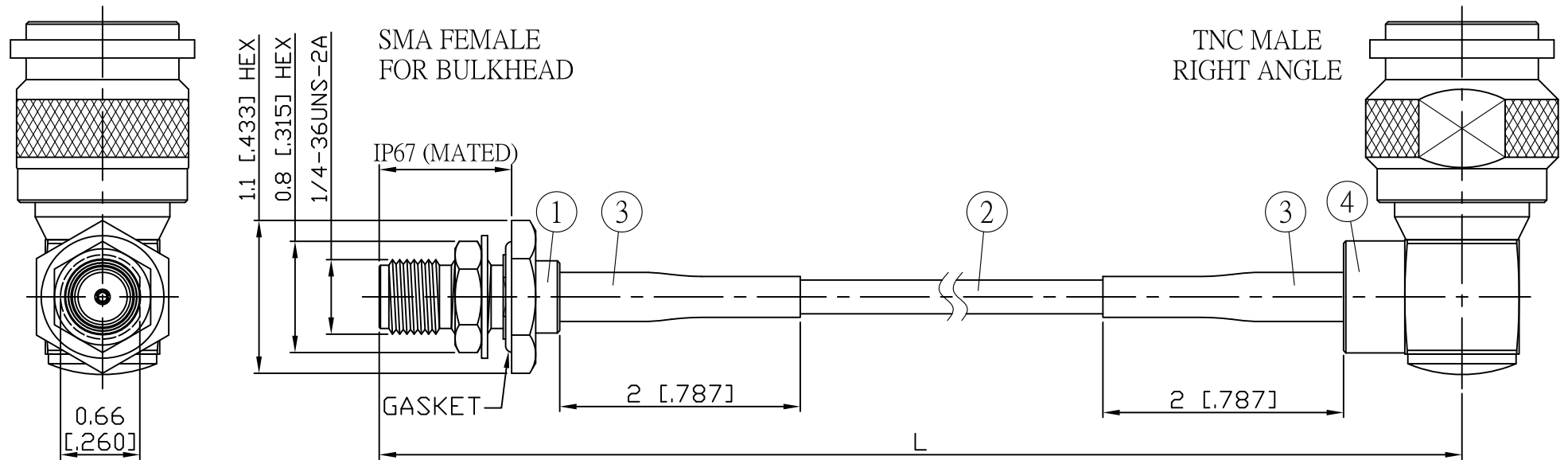
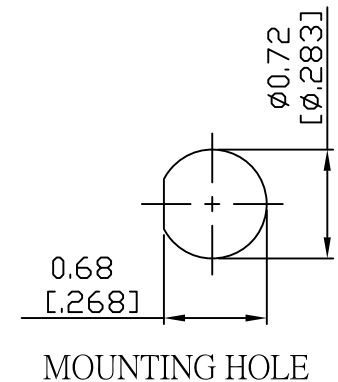


NO.	COMPONENTS	IMPEDANCE
1	SMA FEMALE FOR BULKHEAD	50 OHM
2	JBY100	50 OHM
3	HEAT SHRINKING TUBE	
4	TNC MALE RIGHT ANGLE	50 OHM

REVISION			
REV.	DESCRIPTION	DATE	APPROVED
-	INITIAL RELEASE	2012/08/15	
A	修正SMA螺紋規格	2013/10/01	



JYE BAO P/N	L CM (INCH)	L1 FT (MM)
A85T39-L100-15	15 (5.906)	0.477 (145.5)
A85T39-L100-30	30 (11.811)	0.969 (295.5)
A85T39-L100-50	50 (19.685)	1.626 (495.5)
A85T39-L100-100	100 (39.370)	3.266 (995.5)
A85T39-L100-150	150 (59.055)	4.906 (1495.5)
A85T39-L100-200	200 (78.740)	6.547 (1995.5)
A85T39-L100-XXX	CUSTOM LENGTH IN CM	- - -



4	TNC3100-9L100	TNC PLUG R/A	1	EA
3	G5(F)-4.0MM-BLACK	TUBE	0.04	M
2	JBY100	CABLE	L1 (SEE TABLE)	FT
1	SMA8105-L100	SMA JACK	1	EA
NO.	PARTS NO.	DESCRIPTION	Q'TY	U/M

LENGTH TOLERANCE IS $\pm 1.5\%$ OR $\pm 10\text{MM}$, WHICHEVER IS GREATER.	STANDARD	REV A	UNIT CM(INCH)	JYE BAO CO., LTD. TAIPEI TAIWAN
	APPROVED		DATE	
	CHECKED		DATE	
	DRAWING Albert		DATE	
				DESCRIPTION CABLE ASSEMBLY SMA JACK FOR BULKHEAD TO TNC PLUG R/A
				JYE BAO DRAWING NO. A85T39-L100-XXX