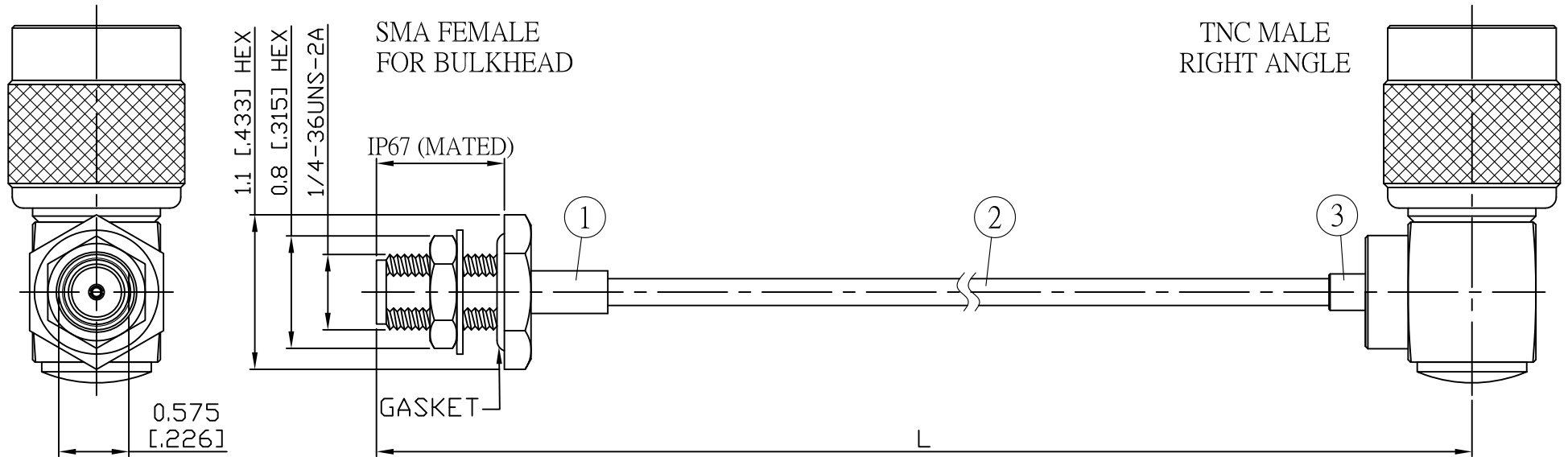
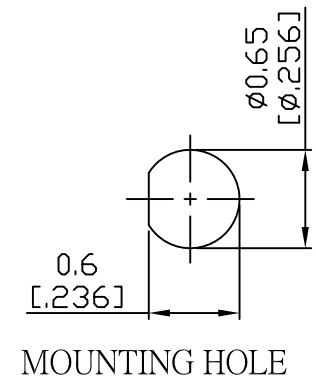


NO.	COMPONENTS	IMPEDANCE
1	SMA FEMALE FOR BULKHEAD	50 OHM
2	.085" HANDBENDABLE CABLE (= JYEBAO P/N .085SRF-W-P-50)	50 OHM
3	TNC MALE RIGHT ANGLE	50 OHM

REVISION			
REV.	DESCRIPTION	DATE	APPROVED
-	INITIAL RELEASE	2012/08/15	
A	修正SMA螺紋規格	2013/10/01	



JYE BAO P/N	L CM (INCH)	L1 FT (MM)
A85T39-85S-15	15 (5.906)	0.477 (145.5)
A85T39-85S-30	30 (11.811)	0.969 (295.5)
A85T39-85S-50	50 (19.685)	1.626 (495.5)
A85T39-85S-100	100 (39.370)	3.266 (995.5)
A85T39-85S-150	150 (59.055)	4.906 (1495.5)
A85T39-85S-200	200 (78.740)	6.547 (1995.5)
A85T39-85S-XXX	CUSTOM LENGTH IN CM	- - -



					STANDARD	REV A	UNIT CM(INCH)	JYE BAO CO., LTD.		
LENGTH TOLERANCE IS ±1.5% OR ±10MM, WHICHEVER IS GREATER.					APPROVED			TAIPEI TAIWAN		
					CHECKED			DESCRIPTION	CABLE ASSEMBLY SMA JACK FOR BULKHEAD TO TNC PLUG R/A	
					DRAWING	Albert		JYE BAO DRAWING NO.	A85T39-85S-XXX	
3	TNC3300-9085	TNC PLUG R/A	1	EA						
2	.085SRF-W-P-50	CABLE	L1 (SEE TABLE)	FT						
1	SMA8305-0085	SMA JACK	1	EA						
NO.	PARTS NO.	DESCRIPTION	Q'TY	U/M						