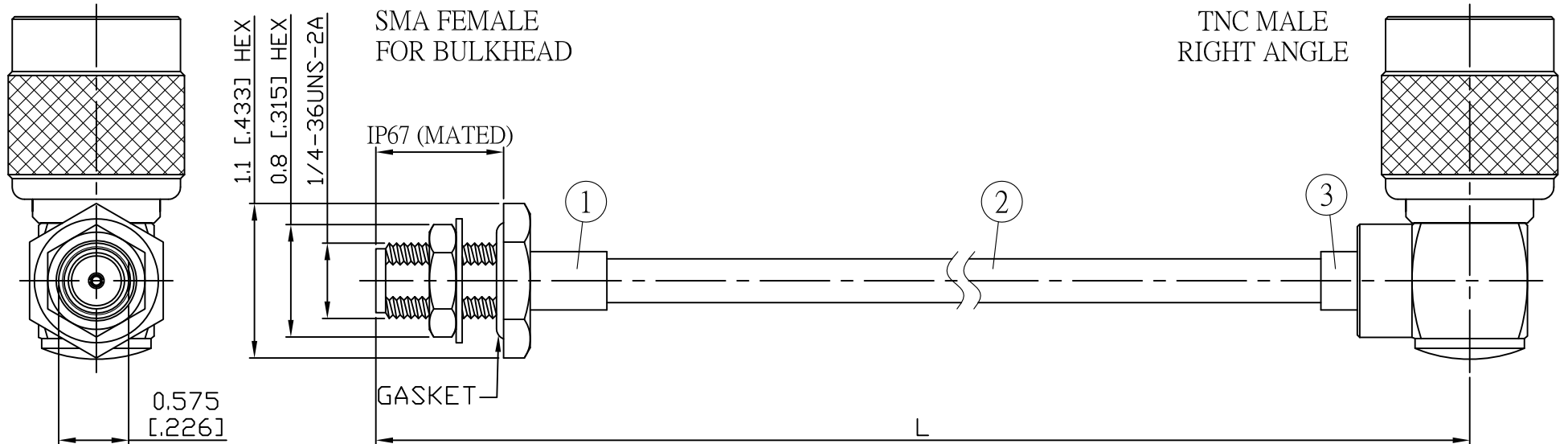
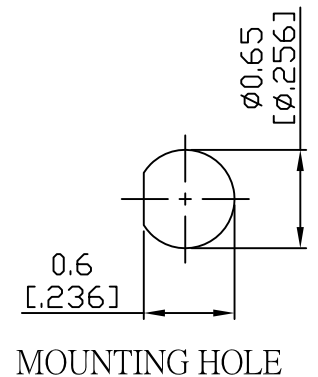


NO.	COMPONENTS	IMPEDANCE
1	SMA FEMALE FOR BULKHEAD	50 OHM
2	.141" TIN PLATED SEMI-RIGID CABLE (TIN PLATED RG402)	50 OHM
3	TNC MALE RIGHT ANGLE	50 OHM

REVISION			
REV.	DESCRIPTION	DATE	APPROVED
-	INITIAL RELEASE	2012/08/15	
A	修正SMA螺紋規格	2013/10/01	



JYE BAO P/N	L CM (INCH)	L1 FT (MM)
A85T39-141T-15	15 (5.906)	0.476 (145.0)
A85T39-141T-30	30 (11.811)	0.968 (295.0)
A85T39-141T-50	50 (19.685)	1.624 (495.0)
A85T39-141T-100	100 (39.370)	3.264 (995.0)
A85T39-141T-150	150 (59.055)	4.905 (1495.0)
A85T39-141T-200	200 (78.740)	6.545 (1995.0)
A85T39-141T-XXX	CUSTOM LENGTH IN CM	- - -



LENGTH TOLERANCE IS $\pm 1.5\%$ OR $\pm 10\text{MM}$ , WHICHEVER IS GREATER.				STANDARD	REV A	UNIT CM(INCH)	<b>JYE BAO CO., LTD.</b>	
				APPROVED				TAIPEI TAIWAN
				CHECKED			DATE	DESCRIPTION CABLE ASSEMBLY SMA JACK FOR BULKHEAD TO TNC PLUG R/A
				DRAWING Albert			DATE	JYE BAO DRAWING NO. A85T39-141T-XXX
3	TNC3300-9141	TNC PLUG R/A	1	EA				
2	.141TIN-W-P-50	CABLE	L1 (SEE TABLE)	FT				
1	SMA8305-0141	SMA JACK	1	EA				
NO.	PARTS NO.	DESCRIPTION	Q'TY	U/M				