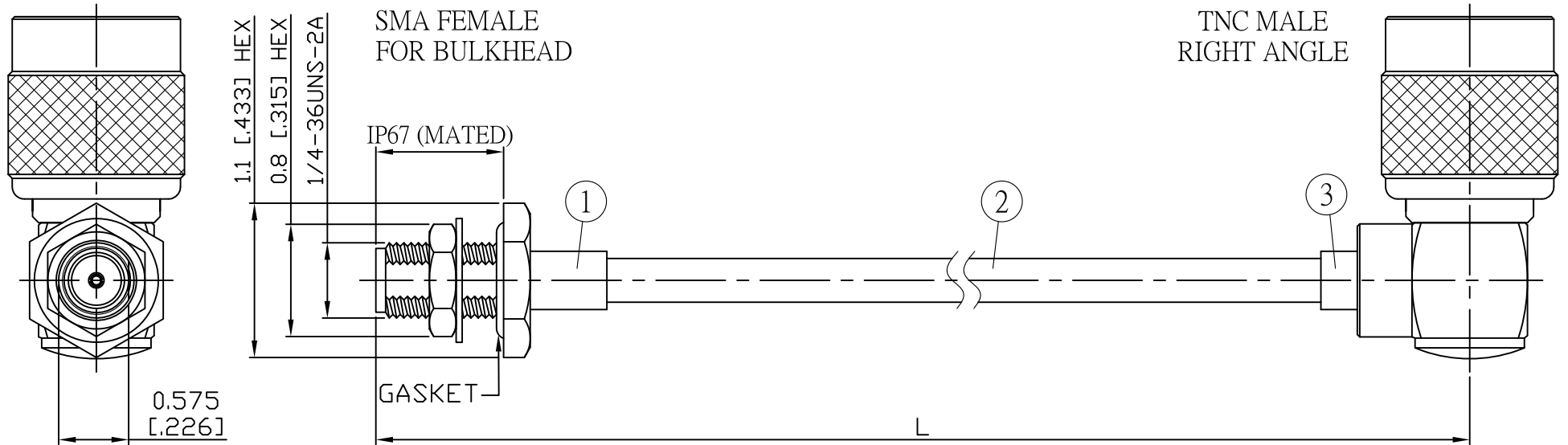
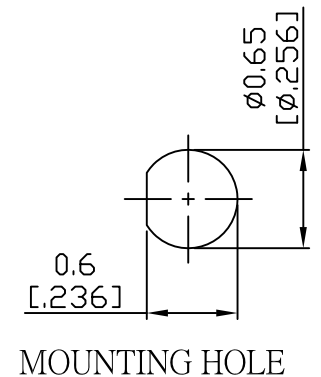


NO.	COMPONENTS	IMPEDANCE
1	SMA FEMALE FOR BULKHEAD	50 OHM
2	.141" HANDBENDABLE CABLE (= JYEBAO P/N .141SRF-W-P-50)	50 OHM
3	TNC MALE RIGHT ANGLE	50 OHM

REVISION			
REV.	DESCRIPTION	DATE	APPROVED
-	INITIAL RELEASE	2012/08/15	
A	修正SMA螺紋規格	2013/10/01	



JYE BAO P/N	L CM (INCH)	L1 FT (MM)
A85T39-141S-15	15 (5.906)	0.476 (145.0)
A85T39-141S-30	30 (11.811)	0.968 (295.0)
A85T39-141S-50	50 (19.685)	1.624 (495.0)
A85T39-141S-100	100 (39.370)	3.264 (995.0)
A85T39-141S-150	150 (59.055)	4.905 (1495.0)
A85T39-141S-200	200 (78.740)	6.545 (1995.0)
A85T39-141S-XXX	CUSTOM LENGTH IN CM	- - -



LENGTH TOLERANCE IS $\pm 1.5\%$ OR $\pm 10\text{MM}$, WHICHEVER IS GREATER.	STANDARD	REV A	UNIT CM(INCH)	JYE BAO CO., LTD. TAIPEI TAIWAN DESCRIPTION CABLE ASSEMBLY SMA JACK FOR BULKHEAD TO TNC PLUG R/A JYE BAO DRAWING NO. A85T39-141S-XXX
	APPROVED	DATE	DATE	
	CHECKED	DATE	DATE	
	DRAWING Albert	DATE	DATE	
3	TNC3300-9141	TNC PLUG R/A	1	EA
2	.141SRF-W-P-50	CABLE	L1 (SEE TABLE)	FT
1	SMA8305-0141	SMA JACK	1	EA
NO.	PARTS NO.	DESCRIPTION	Q'TY	U/M