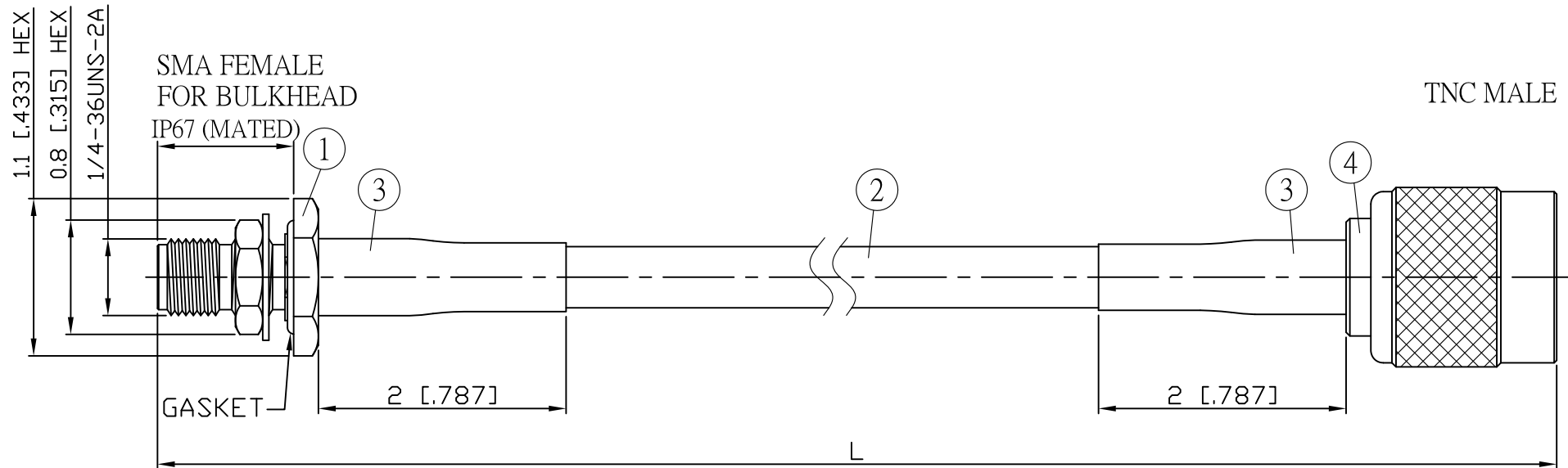
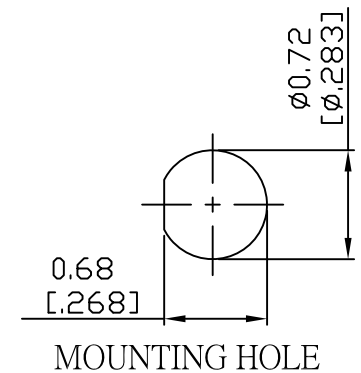


| NO. | COMPONENTS              | IMPEDANCE |
|-----|-------------------------|-----------|
| 1   | SMA FEMALE FOR BULKHEAD | 50 OHM    |
| 2   | JBY195                  | 50 OHM    |
| 3   | HEAT SHRINKING TUBE     |           |
| 4   | TNC MALE                | 50 OHM    |

| REVISION |                 |            |          |
|----------|-----------------|------------|----------|
| REV.     | DESCRIPTION     | DATE       | APPROVED |
| -        | INITIAL RELEASE | 2012/08/15 |          |
| A        | 修正SMA螺紋規格       | 2013/10/01 |          |



| JYE BAO P/N     | L<br>CM (INCH)         | L1<br>FT (MM)  |
|-----------------|------------------------|----------------|
| A85T30-L195-15  | 15 (5.906)             | 0.445 (135.5)  |
| A85T30-L195-30  | 30 (11.811)            | 0.937 (285.5)  |
| A85T30-L195-50  | 50 (19.685)            | 1.593 (485.5)  |
| A85T30-L195-100 | 100 (39.370)           | 3.233 (985.5)  |
| A85T30-L195-150 | 150 (59.055)           | 4.874 (1485.5) |
| A85T30-L195-200 | 200 (78.740)           | 6.514 (1985.5) |
| A85T30-L195-XXX | CUSTOM<br>LENGTH IN CM | - - -          |



|     |                   |             |                |     |
|-----|-------------------|-------------|----------------|-----|
| 4   | TNC3100-0058      | TNC PLUG    | 1              | EA  |
| 3   | G5(F)-8.0MM-BLACK | TUBE        | 0.04           | M   |
| 2   | JBY195            | CABLE       | L1 (SEE TABLE) | FT  |
| 1   | SMA8105-0058      | SMA JACK    | 1              | EA  |
| NO. | PARTS NO.         | DESCRIPTION | Q'TY           | U/M |

|   |                   |          |                  |   |
|---|-------------------|----------|------------------|---|
| LENGTH TOLERANCE IS $\pm 1.5\%$ OR $\pm 10$ MM, WHICHEVER IS GREATER. | STANDARD          | REV<br>A | UNIT<br>CM(INCH) | <b>JYE BAO CO., LTD.</b><br>TAIPEI TAIWAN                       |
|   | APPROVED          |          | DATE             |   |
|   | CHECKED           |          | DATE             | DESCRIPTION<br>CABLE ASSEMBLY SMA JACK FOR BULKHEAD TO TNC PLUG |
|   | DRAWING<br>Albert |          | DATE             | JYE BAO DRAWING NO.<br>A85T30-L195-XXX                          |