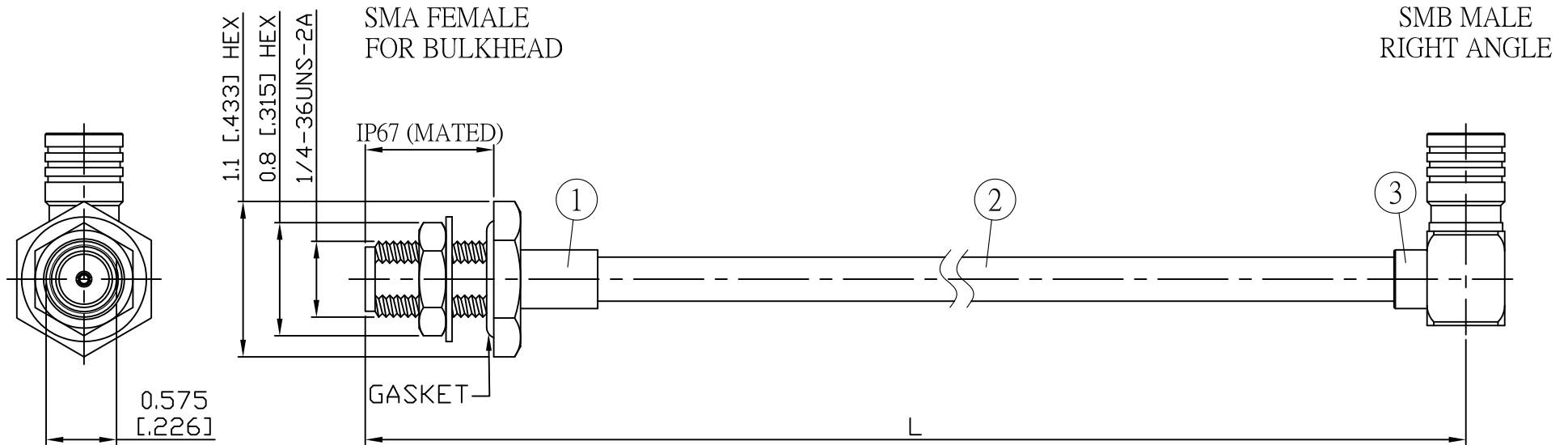
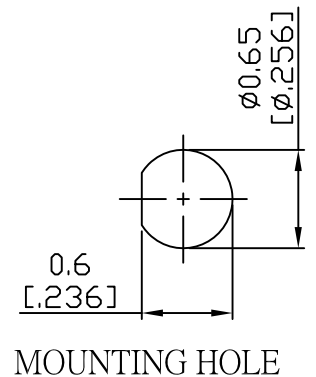


NO.	COMPONENTS	IMPEDANCE
1	SMA FEMALE FOR BULKHEAD	50 OHM
2	.141" TIN PLATED SEMI-RIGID CABLE (TIN PLATED RG402)	50 OHM
3	SMB MALE RIGHT ANGLE	50 OHM

REVISION			
REV.	DESCRIPTON	DATE	APPROVED
-	INITIAL RELEASE	2012/08/15	
A	修正SMA螺紋規格	2013/10/01	



JYE BAO P/N	L CM (INCH)	L1 FT (MM)
A85S39-141T-15	15 (5.906)	0.474 (144.5)
A85S39-141T-30	30 (11.811)	0.966 (294.5)
A85S39-141T-50	50 (19.685)	1.622 (494.5)
A85S39-141T-100	100 (39.370)	3.263 (994.5)
A85S39-141T-150	150 (59.055)	4.903 (1494.5)
A85S39-141T-200	200 (78.740)	6.544 (1994.5)
A85S39-141T-XXX	CUSTOM LENGTH IN CM	- - -



				STANDARD	REV A	UNIT CM(INCH)	JYE BAO CO., LTD.
				APPROVED		DATE	TAIPEI TAIWAN
				CHECKED		DATE	DESCRIPTION CABLE ASSEMBLY SMA JACK FOR BULKHEAD TO SMB PLUG R/A
				DRAWING Albert		DATE	JYE BAO DRAWING NO. A85S39-141T-XXX
3	SMB3300-9141	SMB PLUG R/A	1	EA			
2	.141TIN-W-P-50	CABLE	L1 (SEE TABLE)	FT			
1	SMA8305-0141	SMA JACK	1	EA			
NO.	PARTS NO.	DESCRIPTION	Q'TY	U/M			

LENGTH TOLERANCE
IS ±1.5% OR ±10MM,
WHICHEVER IS
GREATER.