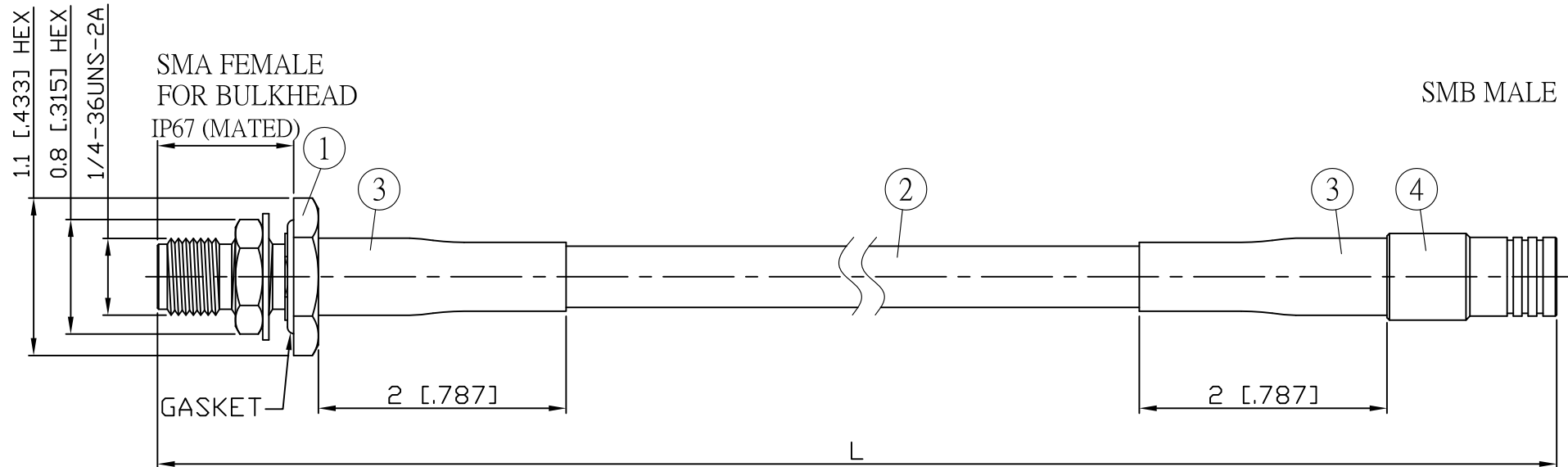
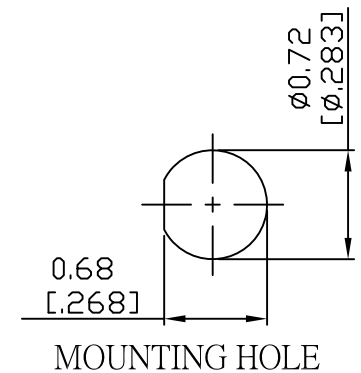


NO.	COMPONENTS	IMPEDANCE
1	SMA FEMALE FOR BULKHEAD	50 OHM
2	JBY195	50 OHM
3	HEAT SHRINKING TUBE	
4	SMB MALE	50 OHM

REVISION			
REV.	DESCRIPTON	DATE	APPROVED
-	INITIAL RELEASE	2012/08/15	
A	修正SMA螺紋規格	2013/10/01	



JYE BAO P/N	L CM (INCH)	L1 FT (MM)
A85S30-L195-15	15 (5.906)	0.443 (135.0)
A85S30-L195-30	30 (11.811)	0.935 (285.0)
A85S30-L195-50	50 (19.685)	1.591 (485.0)
A85S30-L195-100	100 (39.370)	3.232 (985.0)
A85S30-L195-150	150 (59.055)	4.872 (1485.0)
A85S30-L195-200	200 (78.740)	6.512 (1985.0)
A85S30-L195-XXX	CUSTOM LENGTH IN CM	- - -



4	SMB3100-0058	SMB PLUG	1	EA
3	G5(F)-8.0MM-BLACK	TUBE	0.04	M
2	JBY195	CABLE	L1 (SEE TABLE)	FT
1	SMA8105-0058	SMA JACK	1	EA
NO.	PARTS NO.	DESCRIPTION	Q'TY	U/M

LENGTH TOLERANCE IS $\pm 1.5\%$ OR ± 10 MM, WHICHEVER IS GREATER.	STANDARD	REV A	UNIT CM(INCH)	JYE BAO CO., LTD. TAIPEI TAIWAN
	APPROVED	DATE		
	CHECKED	DATE	DESCRIPTION CABLE ASSEMBLY SMA JACK FOR BULKHEAD TO SMB PLUG	
	DRAWING Albert	DATE	JYE BAO DRAWING NO. A85S30-L195-XXX	