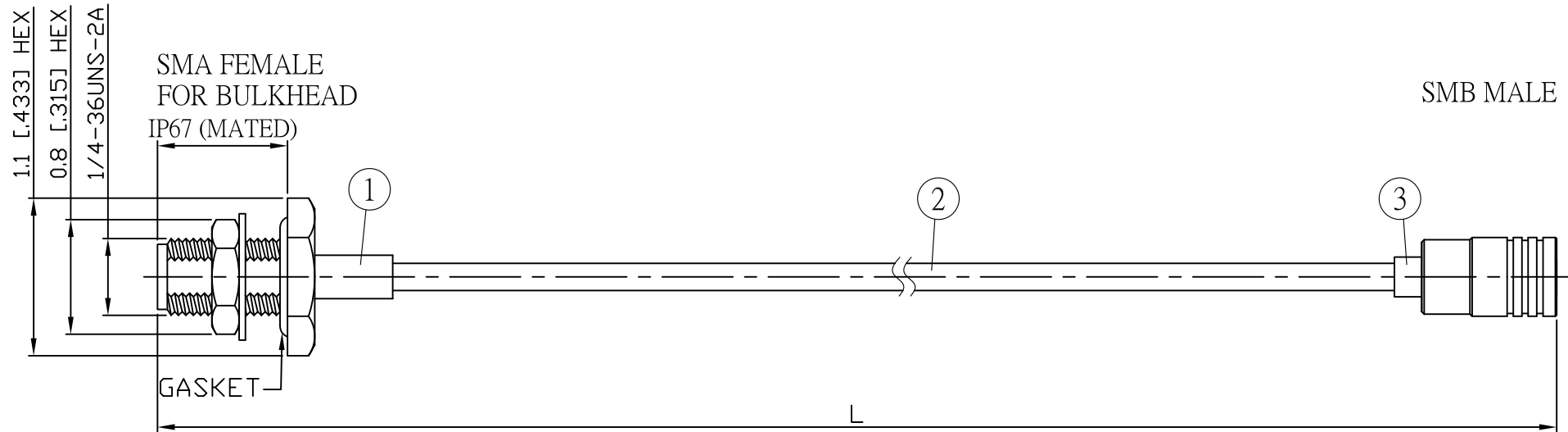
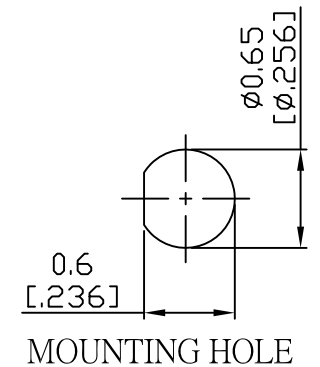


NO.	COMPONENTS	IMPEDANCE
1	SMA FEMALE FOR BULKHEAD	50 OHM
2	.085" TIN PLATED SEMI-RIGID CABLE (TIN PLATED RG405)	50 OHM
3	SMB MALE	50 OHM

REVISION			
REV.	DESCRIPTION	DATE	APPROVED
-	INITIAL RELEASE	2012/08/15	
A	修正SMA螺紋規格	2013/10/01	



JYE BAO P/N	L CM (INCH)	L1 FT (MM)
A85S30-85T-15	15 (5.906)	0.451 (137.5)
A85S30-85T-30	30 (11.811)	0.943 (287.5)
A85S30-85T-50	50 (19.685)	1.599 (487.5)
A85S30-85T-100	100 (39.370)	3.240 (987.5)
A85S30-85T-150	150 (59.055)	4.880 (1487.5)
A85S30-85T-200	200 (78.740)	6.521 (1987.5)
A85S30-85T-XXX	CUSTOM LENGTH IN CM	- - -



3	SMB3300-0085	SMB PLUG	1	EA
2	.085TIN-W-P-50	CABLE	L1 (SEE TABLE)	FT
1	SMA8305-0085	SMA JACK	1	EA
NO.	PARTS NO.	DESCRIPTION	Q'TY	U/M

LENGTH TOLERANCE IS $\pm 1.5\%$ OR $\pm 10$ MM, WHICHEVER IS GREATER.	STANDARD	REV A	UNIT CM(INCH)	<b>JYE BAO CO., LTD.</b> TAIPEI TAIWAN
	APPROVED	DATE	DESCRIPTION CABLE ASSEMBLY SMA JACK FOR BULKHEAD TO SMB PLUG	
	CHECKED	DATE	DRAWING Albert	DESCRIPTION CABLE ASSEMBLY SMA JACK FOR BULKHEAD TO SMB PLUG
		DATE		JYE BAO DRAWING NO. A85S30-85T-XXX