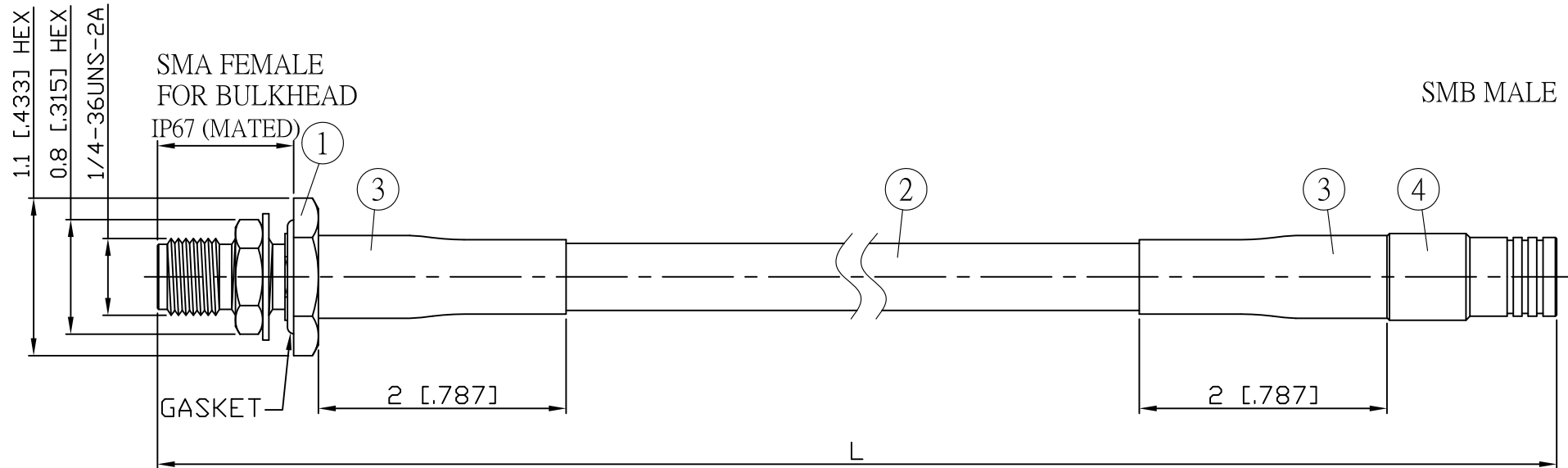
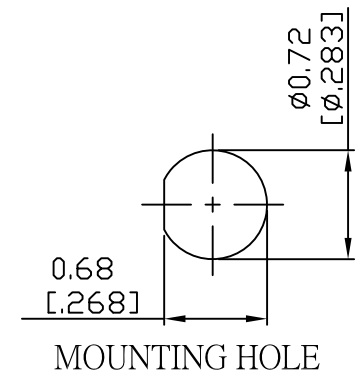


| NO. | COMPONENTS | IMPEDANCE |
|-----|-------------------------|-----------|
| 1 | SMA FEMALE FOR BULKHEAD | 50 OHM |
| 2 | RG223 | 50 OHM |
| 3 | HEAT SHRINKING TUBE | |
| 4 | SMB MALE | 50 OHM |

| REVISION | | | |
|----------|-----------------|------------|----------|
| REV. | DESCRIPTON | DATE | APPROVED |
| - | INITIAL RELEASE | 2012/08/15 | |
| A | 修正SMA螺紋規格 | 2013/10/01 | |



| JYE BAO P/N | L CM (INCH) | L1 FT (MM) |
|----------------|------------------------|----------------|
| A85S30-223-15 | 15 (5.906) | 0.443 (135.0) |
| A85S30-223-30 | 30 (11.811) | 0.935 (285.0) |
| A85S30-223-50 | 50 (19.685) | 1.591 (485.0) |
| A85S30-223-100 | 100 (39.370) | 3.232 (985.0) |
| A85S30-223-150 | 150 (59.055) | 4.872 (1485.0) |
| A85S30-223-200 | 200 (78.740) | 6.512 (1985.0) |
| A85S30-223-XXX | CUSTOM LENGTH IN CM | - - - |



| | | | | |
|-----|-------------------|-------------|----------------|-----|
| 4 | SMB3100-0223 | SMB PLUG | 1 | EA |
| 3 | G5(F)-8.0MM-BLACK | TUBE | 0.04 | M |
| 2 | RG223 | CABLE | L1 (SEE TABLE) | FT |
| 1 | SMA8105-0223 | SMA JACK | 1 | EA |
| NO. | PARTS NO. | DESCRIPTION | Q'TY | U/M |

| | | | | |
|---|----------|----------|---|---|
| LENGTH TOLERANCE IS $\pm 1.5\%$ OR ± 10 MM, WHICHEVER IS GREATER. | STANDARD | REV A | UNIT CM(INCH) | JYE BAO CO., LTD. TAIPEI TAIWAN |
| | APPROVED | DATE | DESCRIPTION CABLE ASSEMBLY SMA JACK FOR BULKHEAD TO SMB PLUG | |
| | CHECKED | DATE | DRAWING Albert | DRAWING NO. JYE BAO DRAWING NO. |
| | | DATE | | A85S30-223-XXX |