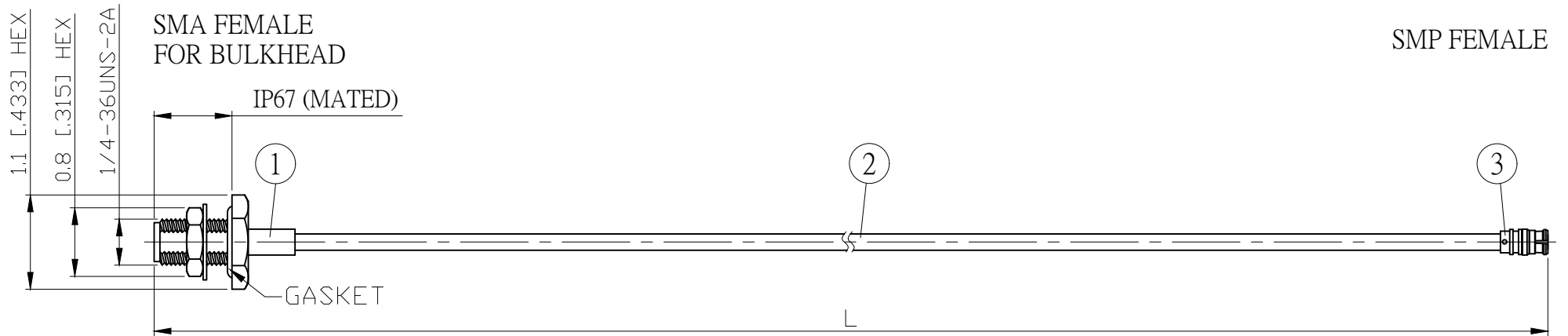
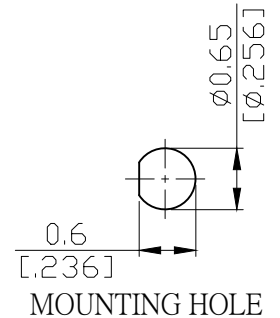


NO.	COMPONENTS	IMPEDANCE
1	SMA FEMALE FOR BULKHEAD	50 OHM
2	.085" HANDBENDABLE CABLE (= JYEBAO P/N .085SRF-W-P-50)	50 OHM
3	SMP FEMALE	50 OHM

REVISION			
REV.	DESCRIPTION	DATE	APPROVED
-	INITIAL RELEASE	2022/03/22	



JYE BAO P/N	Freq. (GHz)	Max. Return Loss	L CM (INCH)	L1 M (MM)
A85P80-85S-18GXXX	18	-16.5dB	50 (19.685)	0.492 (491.5)
			100 (39.370)	0.992 (991.5)
			150 (59.055)	1.492 (1491.5)
			200 (78.740)	1.992 (1991.5)
			CUSTOM LENGTH IN CM	- - -



					STANDARD	REV -	UNIT CM(INCH)	<b>JYE BAO CO., LTD.</b>	
					APPROVED			TAIPEI TAIWAN	
					CHECKED			DESCRIPTION	CABLE ASSEMBLY SMA JACK FOR BULKHEAD TO SMP JACK
					DRAWING			JYE BAO DRAWING NO.	A85P80-85S-18GXXX
3	SMP8300-0085	SMP JACK	1	EA	LENGTH TOLERANCE IS ±1.5% OR ±10MM, WHICHEVER IS GREATER.				
2	.085SRF-W-P-50	CABLE	SEE TABLE L1	M					
1	SMA8305-0085	SMA JACK	1	EA					
NO.	PARTS NO.	DESCRIPTION	QTY	U/M				DATE	

*Albert*