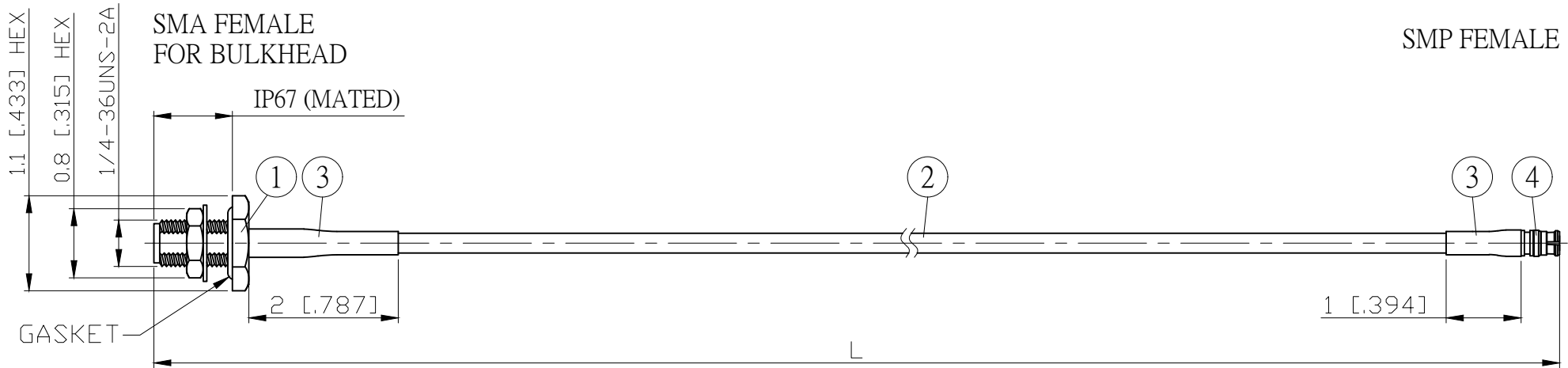


NO.	COMPONENTS	IMPEDANCE
1	SMA FEMALE FOR BULKHEAD	50 OHM
2	5002	50 OHM
3	HEAT SHRINKING TUBE	
4	SMP FEMALE	50 OHM

REVISION			
REV.	DESCRIPTION	DATE	APPROVED
-	INITIAL RELEASE	2022/03/22	

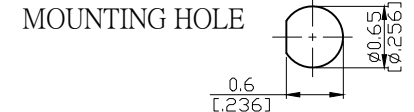


L CM (INCH)	L1 M (MM)
50 (19.685)	0.492 (491.5)
100 (39.370)	0.992 (991.5)
150 (59.055)	1.492 (1491.5)
200 (78.740)	1.992 (1991.5)
Custom length in CM	- - -

Spec	Phase stability vs bending ⁽¹⁾	Amplitude stability vs bending ⁽²⁾	Max VSWR	Max IL	Flexure life cycle ⁽³⁾
3GHz	±0.3° typ / ±0.5° max	±0.005dB typ / ±0.01dB max	1.20 : 1	≤ (0.0128dB/cm*Lcm)+0.15dB	≥ 10000
6GHz	±0.5° typ / ±0.75° max	±0.0075dB typ / ±0.015dB max	1.25 : 1	≤ (0.0189dB/cm*Lcm)+0.20dB	
12.4GHz	±0.75° typ / ±1.0° max	±0.010dB typ / ±0.02dB max	1.30 : 1	≤ (0.0293dB/cm*Lcm)+0.25dB	
18GHz	±1.0° typ / ±1.5° max	±0.015dB typ / ±0.03dB max	1.35 : 1	≤ (0.0361dB/cm*Lcm)+0.30dB	

- Notes:
- Operating Temp.: -55°C / +125°C
 - Static bend radius 5.1mm
 - Dynamic bend radius 30mm
 - RoHS Compliant

- (1) Per IEC 60966-1, section 8.6, method 1
- (2) Per IEC 60966-1, section 8.4
- (3) Per IEC 60966-1, section 9.3



NO.	PARTS NO.	DESCRIPTION	QTY	U/M
4	SMP8300-0085	SMP JACK	1	EA
3	G5(F)-4.0MM-BLACK	TUBE	0.03	M
2	5002	CABLE	SEE TABLE L1	M
1	SMA8305-0405	SMA JACK	1	EA

LENGTH TOLERANCE
IS ±1.5% OR ±10MM,
WHICHEVER IS
GREATER.

STANDARD	REV	UNIT CM(INCH)
	-	
APPROVED		DATE
CHECKED		DATE
DRAWING	<i>Albert</i>	DATE

JYE BAO CO., LTD.	
TAIPEI TAIWAN	
DESCRIPTION	CABLE ASSEMBLY SMA JACK FOR BULKHEAD TO SMP JACK
JYE BAO DRAWING NO.	A85P80-52L-18GXXX