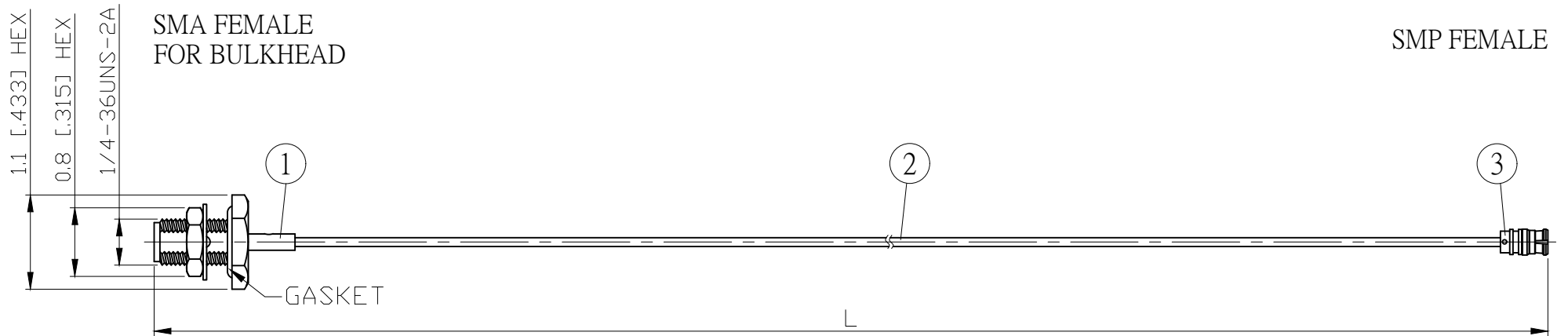
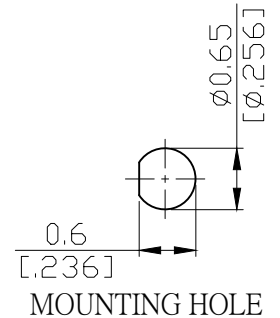


NO.	COMPONENTS	IMPEDANCE
1	SMA FEMALE FOR BULKHEAD	50 OHM
2	.047" TIN PLATED SEMI-RIGID CABLE	50 OHM
3	SMP FEMALE	50 OHM

REVISION			
REV.	DESCRIPTION	DATE	APPROVED
-	INITIAL RELEASE	2022/03/22	



JYE BAO P/N	Freq. (GHz)	Max. Return Loss	L CM (INCH)	L1 M (MM)
A85P80-47T-18GXXX	18	-16.5dB	50 (19.685)	0.488 (488.0)
			100 (39.370)	0.988 (988.0)
			150 (59.055)	1.488 (1488.0)
			200 (78.740)	1.988 (1988.0)
			CUSTOM LENGTH IN CM	- - -



3	SMP8300-0047	SMP JACK	1	EA	LENGTH TOLERANCE IS ±1.5% OR ±10MM, WHICHEVER IS GREATER.	STANDARD	REV -	UNIT CM(INCH)	<b>JYE BAO CO., LTD.</b> TAIPEI TAIWAN	
2	.047TIN-W-P-50	CABLE	SEE TABLE L1	M		APPROVED	DATE	DESCRIPTION		CABLE ASSEMBLY SMA JACK FOR BULKHEAD TO SMP JACK
1	SMA8305-0047	SMA JACK	1	EA		CHECKED	DATE	JYE BAO DRAWING NO.		A85P80-47T-18GXXX
NO.	PARTS NO.	DESCRIPTION	QTY	U/M		DRAWING	DATE			

*Albert*