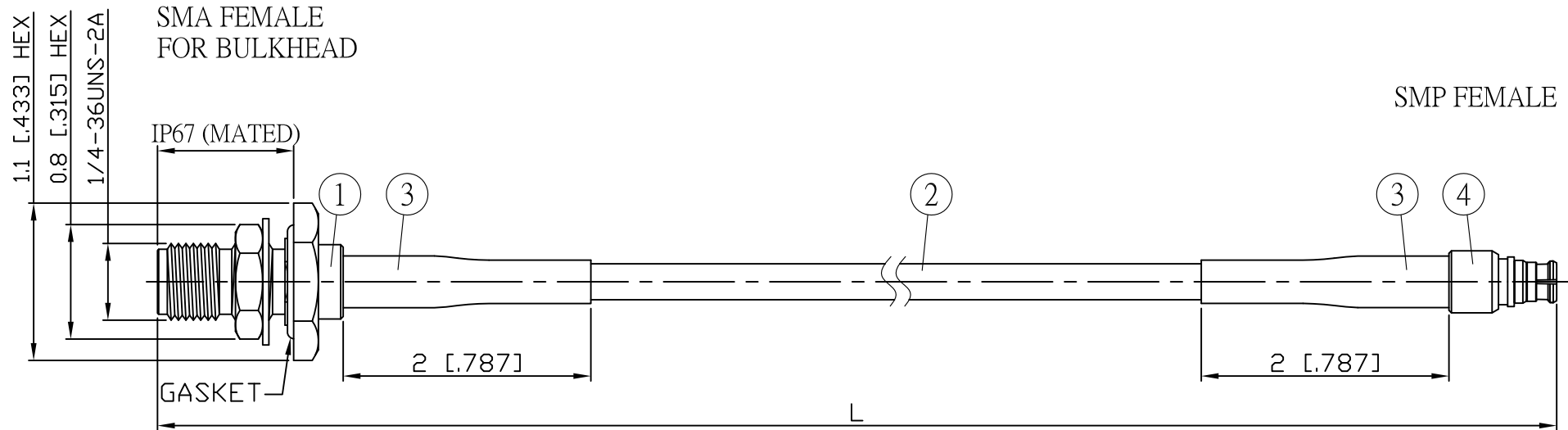
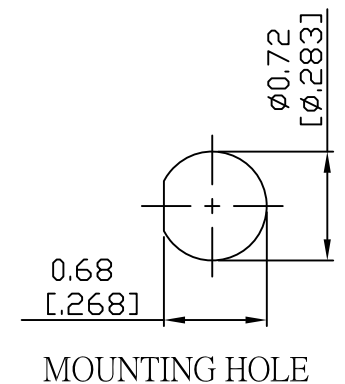


NO.	COMPONENTS	IMPEDANCE
1	SMA FEMALE FOR BULKHEAD	50 OHM
2	DOUBLE SHIELDED RG316(= RD316)	50 OHM
3	HEAT SHRINKING TUBE	
4	SMP FEMALE	50 OHM

REVISION			
REV.	DESCRIPTION	DATE	APPROVED
-	INITIAL RELEASE	2012/08/15	
A	修正SMA螺紋規格	2013/10/01	



JYE BAO P/N	L CM (INCH)	L1 FT (MM)
A85P80-316D-15	15 (5.906)	0.454 (138.5)
A85P80-316D-30	30 (11.811)	0.947 (288.5)
A85P80-316D-50	50 (19.685)	1.603 (488.5)
A85P80-316D-100	100 (39.370)	3.243 (988.5)
A85P80-316D-150	150 (59.055)	4.884 (1488.5)
A85P80-316D-200	200 (78.740)	6.524 (1988.5)
A85P80-316D-XXX	CUSTOM LENGTH IN CM	- - -



4	SMP8100D-0316	SMP JACK	1	EA
3	G5(F)-4.0MM-BLACK	TUBE	0.04	M
2	RD316	CABLE	L1 (SEE TABLE)	FT
1	SMA8105D-0316	SMA JACK	1	EA
NO.	PARTS NO.	DESCRIPTION	Q'TY	U/M

LENGTH TOLERANCE IS $\pm 1.5\%$ OR $\pm 10$ MM, WHICHEVER IS GREATER.	STANDARD	REV A	UNIT CM(INCH)	<b>JYE BAO CO., LTD.</b> TAIPEI TAIWAN
	APPROVED	DATE	DESCRIPTION CABLE ASSEMBLY SMA JACK FOR BULKHEAD TO SMP JACK	
	CHECKED	DATE	DESCRIPTION CABLE ASSEMBLY SMA JACK FOR BULKHEAD TO SMP JACK	
	DRAWING Albert	DATE	JYE BAO DRAWING NO. A85P80-316D-XXX	