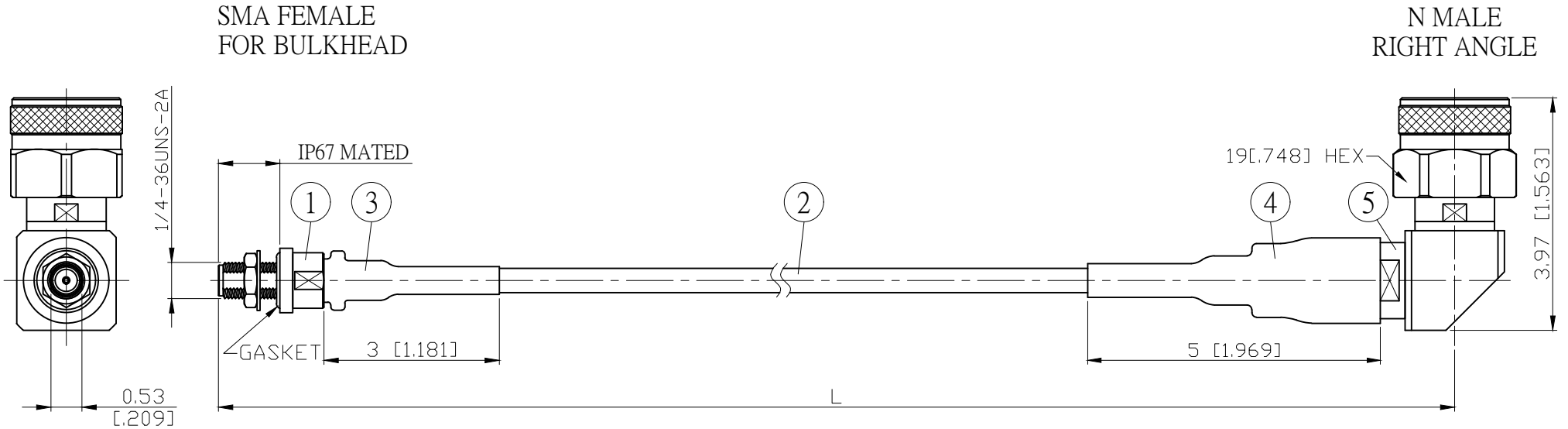


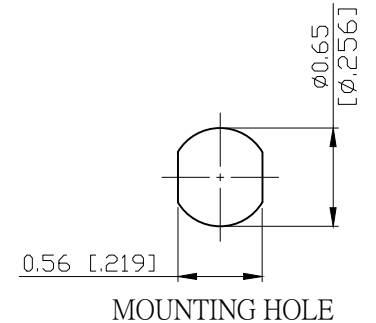
NO.	COMPONENTS	IMPEDANCE
1	SMA FEMALE FOR BULKHEAD	50 OHM
2	5003	50 OHM
3	HEAT SHRINKING TUBE	
4	ADHESIVE HEAT SHRINKING TUBE	
5	N MALE RIGHT ANGLE	50 OHM

REVISION			
REV.	DESCRIPTION	DATE	APPROVED
-	INITIAL RELEASE	2020/07/01	

TEST LEAD WITH EXTRA STURDY CABLE / CONNECTOR CONNECTION.



JYE BAO P/N	Freq. (GHz)	Max. Return Loss	L CM (INCH)	L1 M (MM)
A85N39-5003-18GXXX	18	-18B	50 (19.685)	0.467 (466.5)
			100 (39.370)	0.967 (966.5)
			150 (59.055)	1.467 (1466.5)
			200 (78.740)	1.967 (1966.5)
			CUSTOM LENGTH IN CM	- - -



NO.	PARTS NO.	DESCRIPTION	QTY	U/M	LENGTH TOLERANCE IS ±1.5% OR ±10MM, WHICHEVER IS GREATER.	STANDARD	REV -	UNIT CM(INCH)	JYE BAO CO., LTD.	
5	N32SHS-M5003	N PLUG R/A	1	EA		APPROVED			TAIPEI TAIWAN	
4	AIS-15MM-BLACK	TUBE	0.05	M		CHECKED			DATE	DESCRIPTION
3	G5(F)-10MM-BLACK	TUBE	0.03	M		DRAWING			DATE	CABLE ASSEMBLY SMA FEMALE FOR BULKHEAD TO N PLUG R/A
2	5003	CABLE	SEE TABLE L1	M			<i>Albert</i>		DATE	JYE BAO DRAWING NO.
1	SMA8205S-S402	SMA JACK	1	EA				DATE	A85N39-5003-18GXXX	