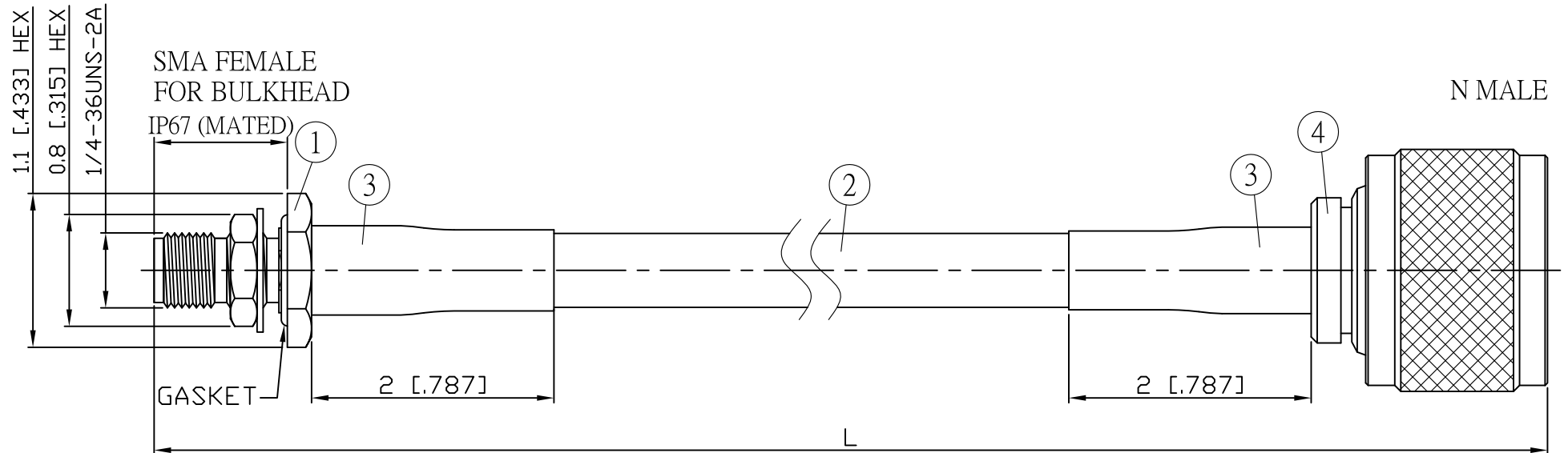
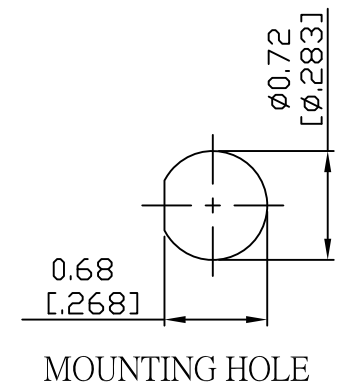


NO.	COMPONENTS	IMPEDANCE
1	SMA FEMALE FOR BULKHEAD	50 OHM
2	JBY240	50 OHM
3	HEAT SHRINKING TUBE	
4	N MALE	50 OHM

REVISION			
REV.	DESCRIPTION	DATE	APPROVED
-	INITIAL RELEASE	2011/03/15	
A	N3100-L240=>N3100B-L240 修正SMA螺紋規格	2013/05/23	



JYE BAO P/N	L CM (INCH)	L1 FT (MM)
A85N30-L240-15	15 (5.906)	0.417 (127.0)
A85N30-L240-30	30 (11.811)	0.909 (277.0)
A85N30-L240-50	50 (19.685)	1.565 (477.0)
A85N30-L240-100	100 (39.370)	3.205 (977.0)
A85N30-L240-150	150 (59.055)	4.846 (1477.0)
A85N30-L240-200	200 (78.740)	6.486 (1977.0)
A85N30-L240-XXX	CUSTOM LENGTH IN CM	- - -



				STANDARD	REV A	UNIT CM(INCH)	<b>JYE BAO CO., LTD.</b> TAIPEI TAIWAN
				APPROVED		DATE	
				CHECKED		DATE	
				DRAWING Albert		DATE	
4	N3100B-L240	N PLUG	1	EA	DESCRIPTION CABLE ASSEMBLY SMA JACK FOR BULKHEAD TO N PLUG JYE BAO DRAWING NO. A85N30-L240-XXX		
3	G5(F)-8.0MM-BLACK	TUBE	0.04	M			
2	JBY240	CABLE	L1 (SEE TABLE)	FT			
1	SMA8105-L240	SMA JACK	1	EA			
NO.	PARTS NO.	DESCRIPTION	Q'TY	U/M	LENGTH TOLERANCE IS ±1.5% OR ±10MM, WHICHEVER IS GREATER.		