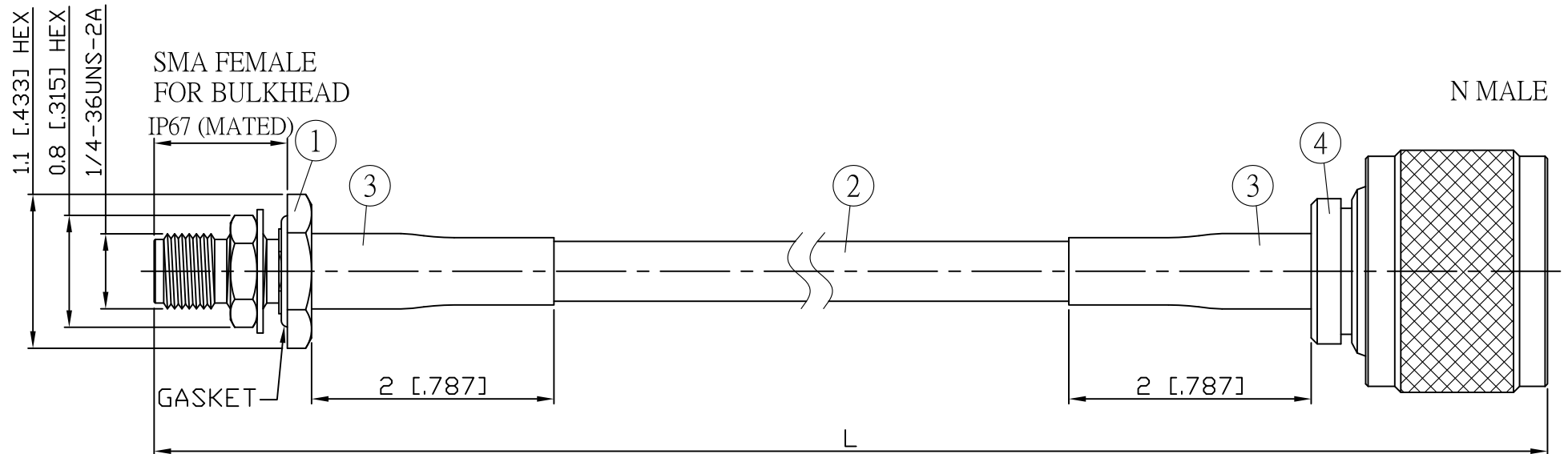
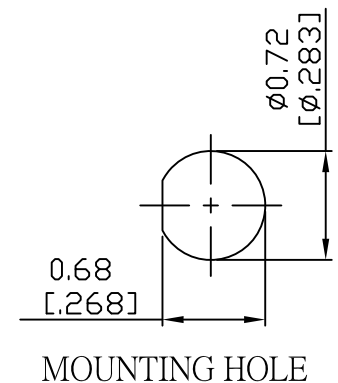


NO.	COMPONENTS	IMPEDANCE
1	SMA FEMALE FOR BULKHEAD	50 OHM
2	RG142	50 OHM
3	HEAT SHRINKING TUBE	
4	N MALE	50 OHM

REVISION			
REV.	DESCRIPTION	DATE	APPROVED
-	INITIAL RELEASE	2011/03/15	
A	N3100-0142=>N3100B-0142 修正SMA螺紋規格	2013/05/23	



JYE BAO P/N	L CM (INCH)	L1 FT (MM)
A85N30-142-15	15 (5.906)	0.433 (132.0)
A85N30-142-30	30 (11.811)	0.925 (282.0)
A85N30-142-50	50 (19.685)	1.581 (482.0)
A85N30-142-100	100 (39.370)	3.222 (982.0)
A85N30-142-150	150 (59.055)	4.862 (1482.0)
A85N30-142-200	200 (78.740)	6.503 (1982.0)
A85N30-142-XXX	CUSTOM LENGTH IN CM	- - -



4	N3100B-0142	N PLUG	1	EA
3	G5(F)-8.0MM-BLACK	TUBE	0.04	M
2	RG142	CABLE	L1 (SEE TABLE)	FT
1	SMA8105-0142	SMA JACK	1	EA
NO.	PARTS NO.	DESCRIPTION	Q'TY	U/M

LENGTH TOLERANCE IS ±1.5% OR ±10MM, WHICHEVER IS GREATER.	STANDARD	REV A	UNIT CM(INCH)	<b>JYE BAO CO., LTD.</b> TAIPEI TAIWAN
	APPROVED		DATE	
	CHECKED		DATE	
	DRAWING Albert		DATE	
DESCRIPTION				CABLE ASSEMBLY SMA JACK FOR BULKHEAD TO N PLUG
JYE BAO DRAWING NO.				A85N30-142-XXX