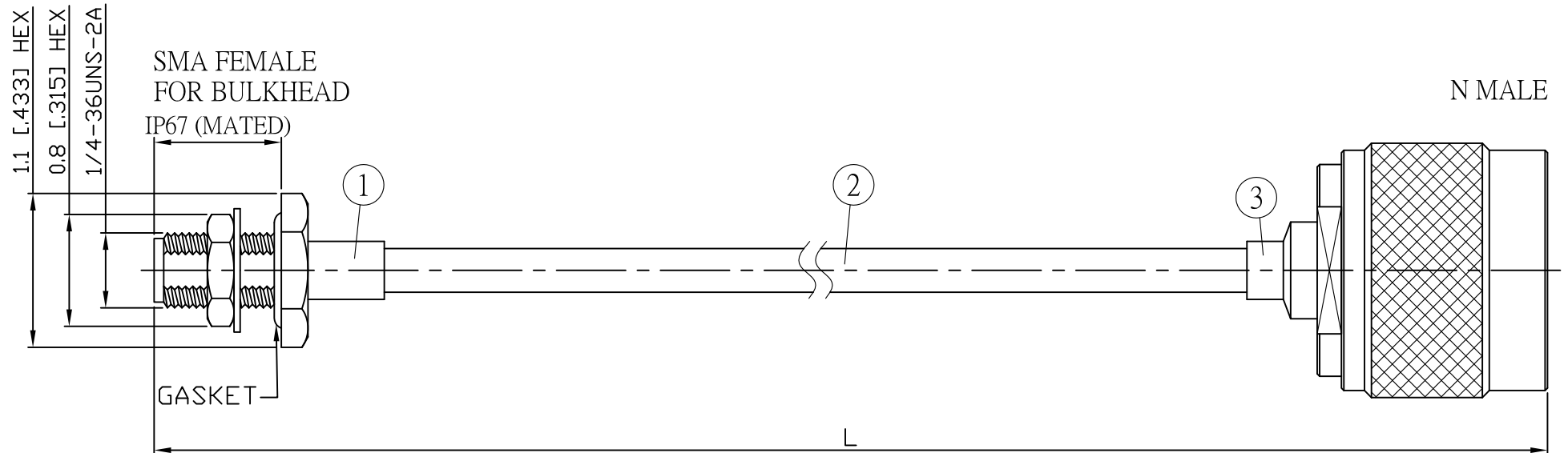
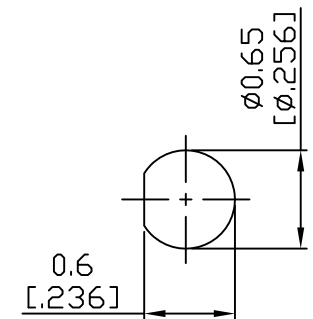


NO.	COMPONENTS	IMPEDANCE
1	SMA FEMALE FOR BULKHEAD	50 OHM
2	.141" HANDBENDABLE CABLE (= JYEBAO P/N .141SRF-W-P-50)	50 OHM
3	N MALE	50 OHM

REVISION			
REV.	DESCRIPTION	DATE	APPROVED
-	INITIAL RELEASE	2011/03/15	
A	修正SMA螺紋規格	2013/10/01	



JYE BAO P/N	L CM (INCH)	L1 FT (MM)
A85N30-141S-15	15 (5.906)	0.427 (130.0)
A85N30-141S-30	30 (11.811)	0.919 (280.0)
A85N30-141S-50	50 (19.685)	1.575 (480.0)
A85N30-141S-100	100 (39.370)	3.215 (980.0)
A85N30-141S-150	150 (59.055)	4.856 (1480.0)
A85N30-141S-200	200 (78.740)	6.496 (1980.0)
A85N30-141S-XXX	CUSTOM LENGTH IN CM	- - -



MOUNTING HOLE

3	N3300-0141	N PLUG	1	EA	LENGTH TOLERANCE IS ±1.5% OR ±10MM, WHICHEVER IS GREATER.	STANDARD	REV A	UNIT CM(INCH)	JYE BAO CO., LTD. TAIPEI TAIWAN
						APPROVED	DATE	DESCRIPTION CABLE ASSEMBLY SMA JACK FOR BULKHEAD TO N PLUG	
						CHECKED	DATE	DESCRIPTION CABLE ASSEMBLY SMA JACK FOR BULKHEAD TO N PLUG	
						DRAWING Albert	DATE	JYE BAO DRAWING NO. A85N30-141S-XXX	
2	.141SRF-W-P-50	CABLE	L1 (SEE TABLE)	FT					
1	SMA8305-0141	SMA JACK	1	EA					
NO.	PARTS NO.	DESCRIPTION	Q'TY	U/M					