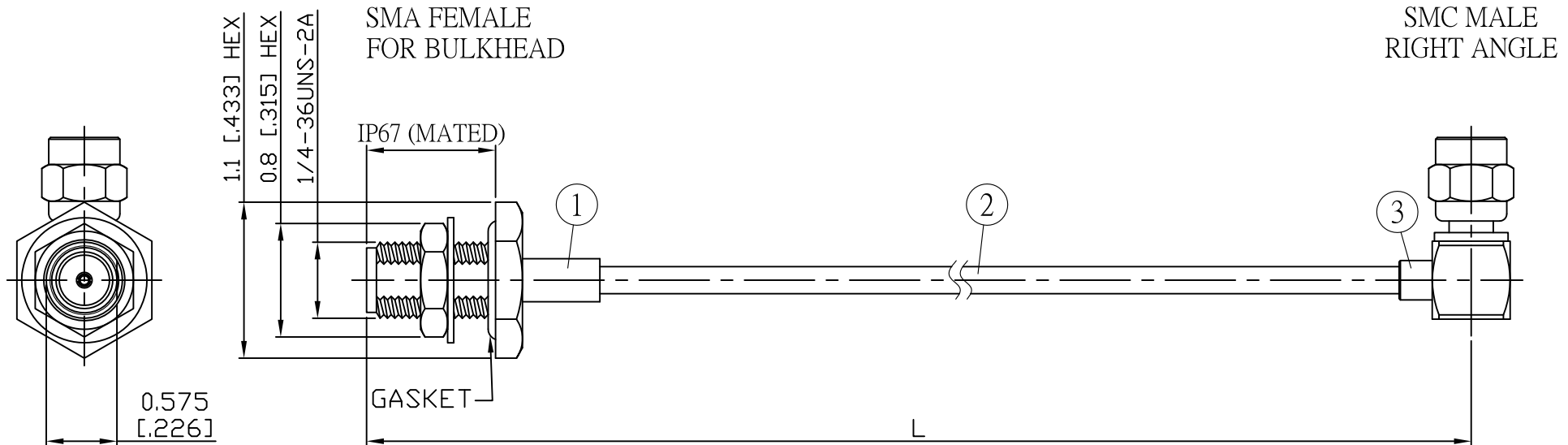
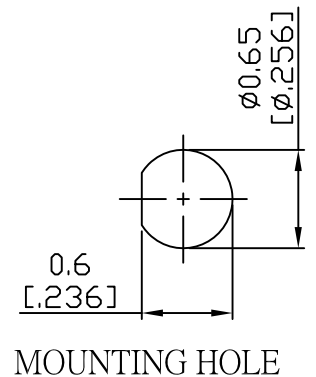


NO.	COMPONENTS	IMPEDANCE
1	SMA FEMALE FOR BULKHEAD	50 OHM
2	.085" HANDBENDABLE CABLE (= JYEBAO P/N .085SRF-W-P-50)	50 OHM
3	SMC MALE RIGHT ANGLE	50 OHM

REVISION			
REV.	DESCRIPTION	DATE	APPROVED
-	INITIAL RELEASE	2012/08/15	
A	修正SMA螺紋規格	2013/10/01	



JYE BAO P/N	L CM (INCH)	L1 FT (MM)
A85MC39-85S-15	15 (5.906)	0.476 (145.0)
A85MC39-85S-30	30 (11.811)	0.968 (295.0)
A85MC39-85S-50	50 (19.685)	1.624 (495.0)
A85MC39-85S-100	100 (39.370)	3.264 (995.0)
A85MC39-85S-150	150 (59.055)	4.905 (1495.0)
A85MC39-85S-200	200 (78.740)	6.545 (1995.0)
A85MC39-85S-XXX	CUSTOM LENGTH IN CM	- - -



				STANDARD	REV A	UNIT CM(INCH)	JYE BAO CO., LTD.	
				APPROVED			TAIPEI TAIWAN	
				CHECKED			DESCRIPTION CABLE ASSEMBLY SMA JACK FOR BULKHEAD TO SMC PLUG R/A	
				DRAWING			JYE BAO DRAWING NO.	
				Albert			A85MC39-85S-XXX	
3	SMC3300-9085	SMC PLUG R/A	1	EA				
2	.085SRF-W-P-50	CABLE	L1 (SEE TABLE)	FT				
1	SMA8305-0085	SMA JACK	1	EA				
NO.	PARTS NO.	DESCRIPTION	Q'TY	U/M				

LENGTH TOLERANCE IS ±1.5% OR ±10MM, WHICHEVER IS GREATER.