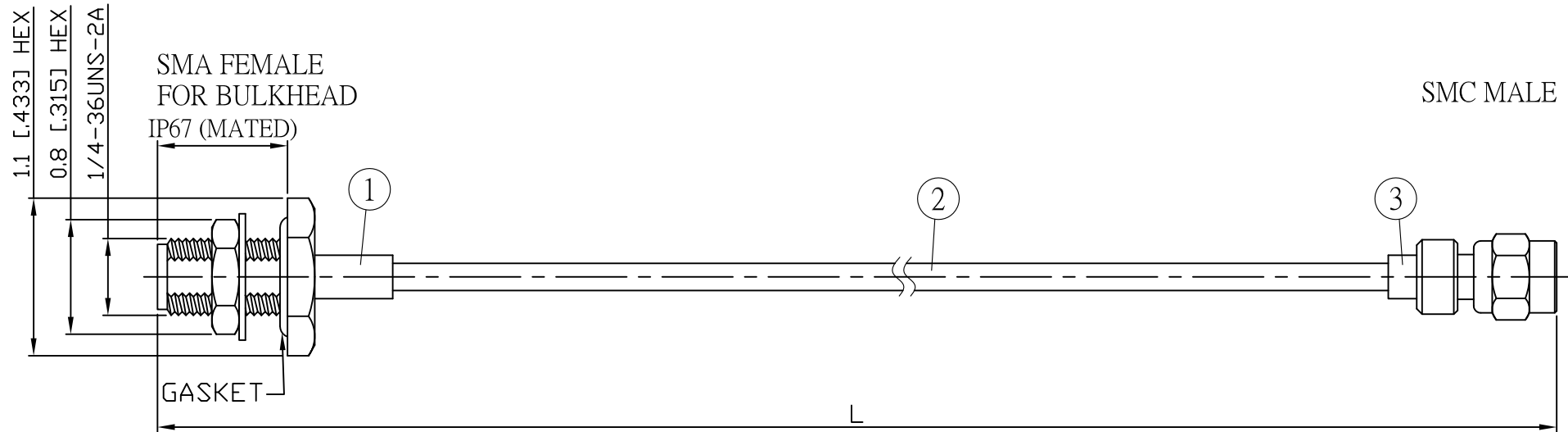
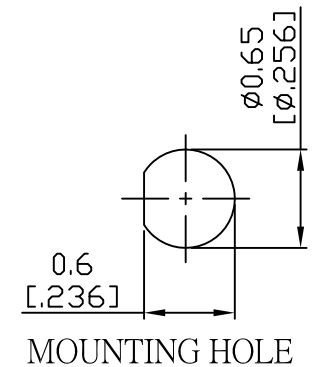


NO.	COMPONENTS	IMPEDANCE
1	SMA FEMALE FOR BULKHEAD	50 OHM
2	.085" HANDBENDABLE CABLE (= JYEBAO P/N .085SRF-W-P-50)	50 OHM
3	SMC MALE	50 OHM

REVISION			
REV.	DESCRIPTION	DATE	APPROVED
-	INITIAL RELEASE	2012/08/15	
A	修正SMA螺紋規格	2013/10/01	



JYE BAO P/N	L CM (INCH)	L1 FT (MM)
A85MC30-85S-15	15 (5.906)	0.451 (137.5)
A85MC30-85S-30	30 (11.811)	0.943 (287.5)
A85MC30-85S-50	50 (19.685)	1.599 (487.5)
A85MC30-85S-100	100 (39.370)	3.240 (987.5)
A85MC30-85S-150	150 (59.055)	4.880 (1487.5)
A85MC30-85S-200	200 (78.740)	6.521 (1987.5)
A85MC30-85S-XXX	CUSTOM LENGTH IN CM	- - -



3	SMC3300-0085	SMC PLUG	1	EA	LENGTH TOLERANCE IS $\pm 1.5\%$ OR ± 10 MM, WHICHEVER IS GREATER.	STANDARD	REV A	UNIT CM(INCH)	JYE BAO CO., LTD. TAIPEI TAIWAN
						APPROVED		DATE	
						CHECKED		DATE	
						DRAWING Albert		DATE	
2	.085SRF-W-P-50	CABLE	L1 (SEE TABLE)	FT		DESCRIPTION	CABLE ASSEMBLY SMA JACK FOR BULKHEAD TO SMC PLUG		
1	SMA8305-0085	SMA JACK	1	EA		JYE BAO DRAWING NO.	A85MC30-85S-XXX		
NO.	PARTS NO.	DESCRIPTION	Q'TY	U/M					