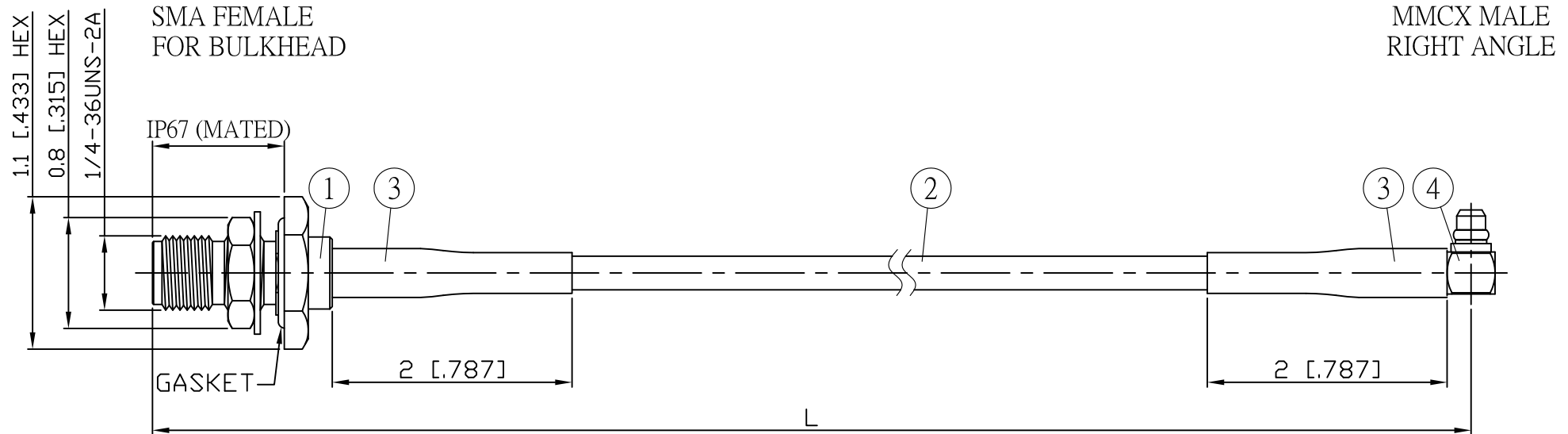
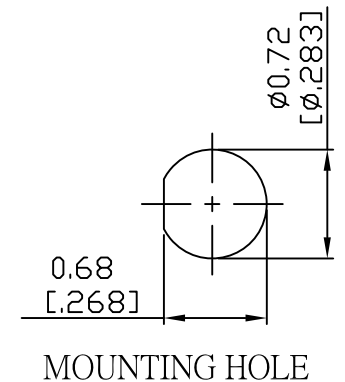


| NO. | COMPONENTS | IMPEDANCE |
|-----|-------------------------|-----------|
| 1 | SMA FEMALE FOR BULKHEAD | 50 OHM |
| 2 | RG174 | 50 OHM |
| 3 | HEAT SHRINKING TUBE | |
| 4 | MMCX MALE RIGHT ANGLE | 50 OHM |

| REVISION | | | |
|----------|-----------------|------------|----------|
| REV. | DESCRIPTON | DATE | APPROVED |
| - | INITIAL RELEASE | 2012/08/15 | |



| JYE BAO P/N | L CM (INCH) | L1 FT (MM) |
|----------------|------------------------|----------------|
| A85E39-174-15 | 15 (5.906) | 0.474 (144.5) |
| A85E39-174-30 | 30 (11.811) | 0.966 (294.5) |
| A85E39-174-50 | 50 (19.685) | 1.622 (494.5) |
| A85E39-174-100 | 100 (39.370) | 3.263 (994.5) |
| A85E39-174-150 | 150 (59.055) | 4.903 (1494.5) |
| A85E39-174-200 | 200 (78.740) | 6.544 (1994.5) |
| A85E39-174-XXX | CUSTOM LENGTH IN CM | - - - |



| | | | | |
|-----|-------------------|---------------|----------------|-----|
| 4 | MMCX3100-9316 | MMCX PLUG R/A | 1 | EA |
| 3 | G5(F)-4.0MM-BLACK | TUBE | 0.04 | M |
| 2 | RG174 | CABLE | L1 (SEE TABLE) | FT |
| 1 | SMA8105-0316 | SMA JACK | 1 | EA |
| NO. | PARTS NO. | DESCRIPTION | Q'TY | U/M |

| | | | | |
|---|----------------|-------|---------------|---|
| LENGTH TOLERANCE IS $\pm 1.5\%$ OR ± 10 MM, WHICHEVER IS GREATER. | STANDARD | REV - | UNIT CM(INCH) | JYE BAO CO., LTD. TAIPEI TAIWAN |
| | APPROVED | | DATE | |
| | CHECKED | | DATE | |
| | DRAWING Albert | | DATE | |
| DESCRIPTION CABLE ASSEMBLY SMA JACK FOR BULKHEAD TO MMCX PLUG R/A | | | | JYE BAO DRAWING NO. A85E39-174-XXX |