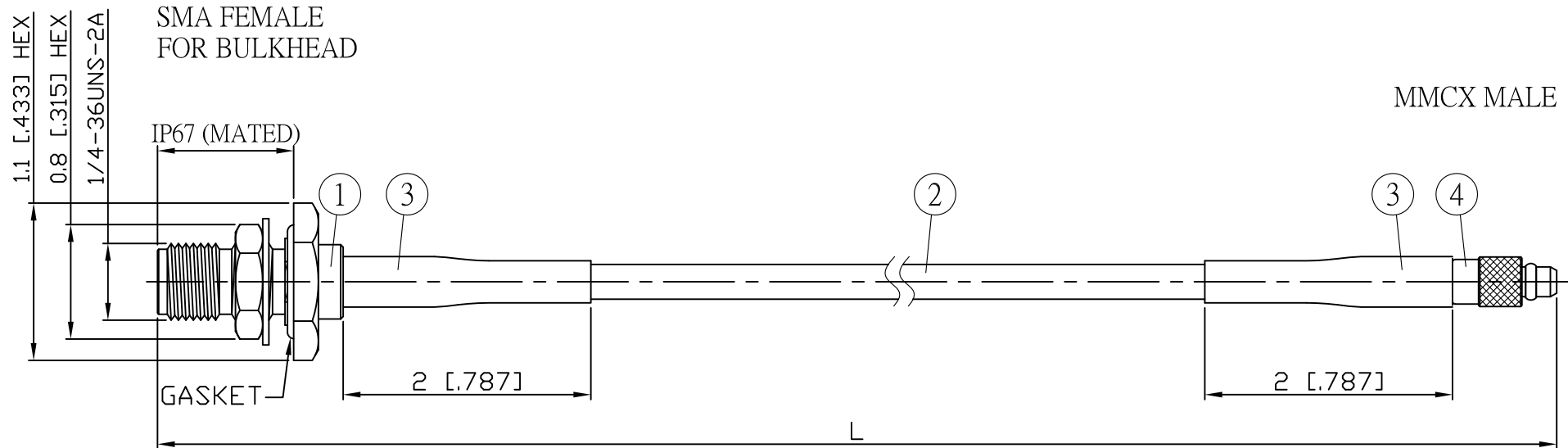
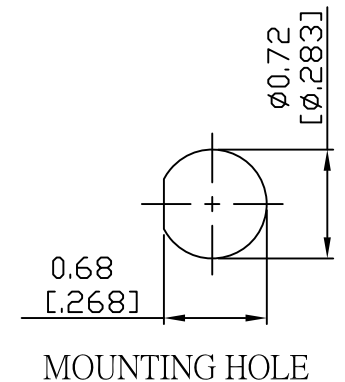


NO.	COMPONENTS	IMPEDANCE
1	SMA FEMALE FOR BULKHEAD	50 OHM
2	JBY100	50 OHM
3	HEAT SHRINKING TUBE	
4	MMCX MALE	50 OHM

REVISION			
REV.	DESCRIPTON	DATE	APPROVED
-	INITIAL RELEASE	2012/08/15	



JYE BAO P/N	L CM (INCH)	L1 FT (MM)
A85E30-L100-15	15 (5.906)	0.459 (140.0)
A85E30-L100-30	30 (11.811)	0.951 (290.0)
A85E30-L100-50	50 (19.685)	1.608 (490.0)
A85E30-L100-100	100 (39.370)	3.248 (990.0)
A85E30-L100-150	150 (59.055)	4.888 (1490.0)
A85E30-L100-200	200 (78.740)	6.529 (1990.0)
A85E30-L100-XXX	CUSTOM LENGTH IN CM	- - -



4	MMCX3100-L100	MMCX PLUG	1	EA
3	G5(F)-4.0MM-BLACK	TUBE	0.04	M
2	JBY100	CABLE	L1 (SEE TABLE)	FT
1	SMA8105-L100	SMA JACK	1	EA
NO.	PARTS NO.	DESCRIPTION	Q'TY	U/M

LENGTH TOLERANCE IS $\pm 1.5\%$ OR ± 10 MM, WHICHEVER IS GREATER.	STANDARD	REV -	UNIT CM(INCH)	JYE BAO CO., LTD. TAIPEI TAIWAN
	APPROVED	DATE	DESCRIPTION CABLE ASSEMBLY SMA JACK FOR BULKHEAD TO MMCX PLUG	
	CHECKED	DATE	DRAWING NO. JYE BAO DRAWING NO.	
	DRAWING Albert	DATE	A85E30-L100-XXX	