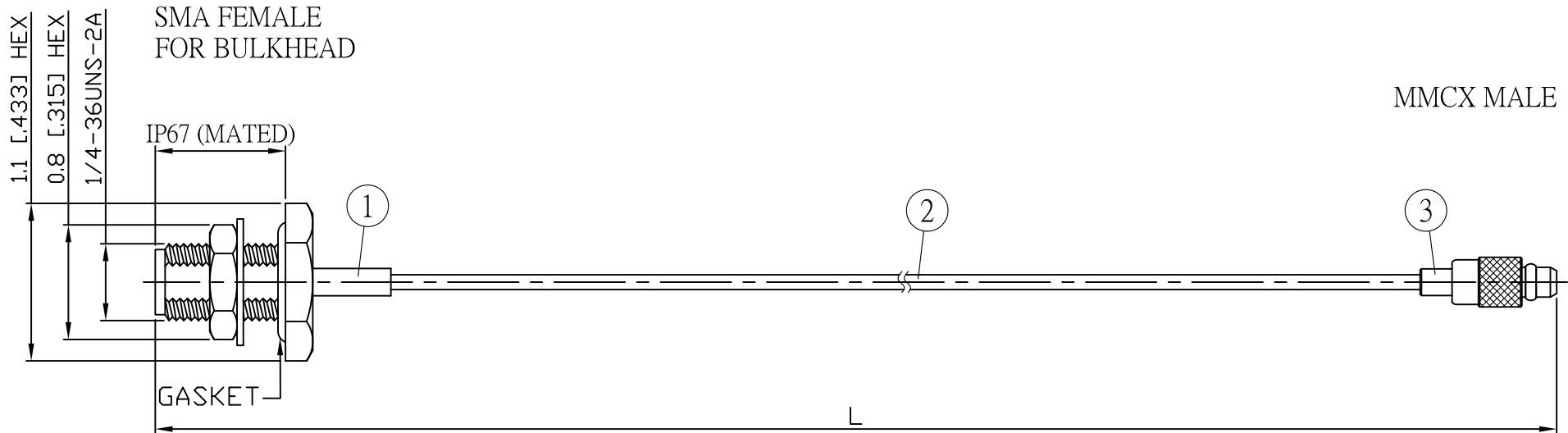
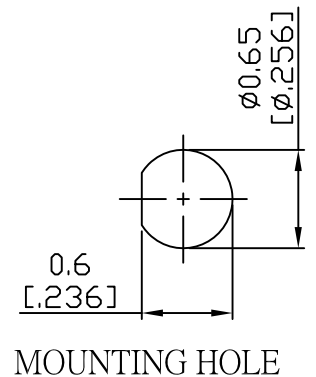


NO.	COMPONENTS	IMPEDANCE
1	SMA FEMALE FOR BULKHEAD	50 OHM
2	.047" TIN PLATED SEMI-RIGID CABLE	50 OHM
3	MMCX MALE	50 OHM

REVISION			
REV.	DESCRIPTION	DATE	APPROVED
-	INITIAL RELEASE	2012/08/15	



JYE BAO P/N	L CM (INCH)	L1 FT (MM)
A85E30-47T-15	15 (5.906)	0.459 (140.0)
A85E30-47T-30	30 (11.811)	0.951 (290.0)
A85E30-47T-50	50 (19.685)	1.608 (490.0)
A85E30-47T-100	100 (39.370)	3.248 (990.0)
A85E30-47T-150	150 (59.055)	4.888 (1490.0)
A85E30-47T-200	200 (78.740)	6.529 (1990.0)
A85E30-47T-XXX	CUSTOM LENGTH IN CM	- - -



				STANDARD	REV -	UNIT CM(INCH)	JYE BAO CO., LTD.	
				APPROVED			TAIPEI TAIWAN	
				CHECKED	DATE		DESCRIPTION CABLE ASSEMBLY SMA JACK FOR BULKHEAD TO MMCX PLUG	
				DRAWING	DATE		JYE BAO DRAWING NO. A85E30-47T-XXX	
				Albert				
3	MMCX3300-0047	MMCX PLUG	1	EA				
2	.047TIN-W-P-50	CABLE	L1 (SEE TABLE)	FT				
1	SMA8305-0047	SMA JACK	1	EA				
NO.	PARTS NO.	DESCRIPTION	Q'TY	U/M				

LENGTH TOLERANCE IS $\pm 1.5\%$ OR $\pm 10\text{MM}$, WHICHEVER IS GREATER.