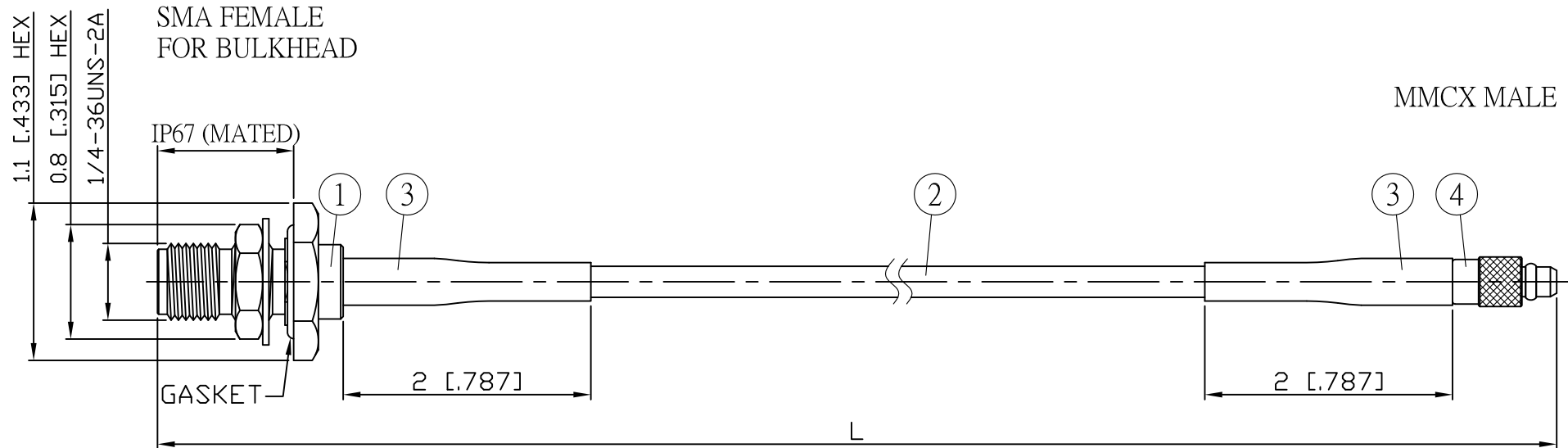
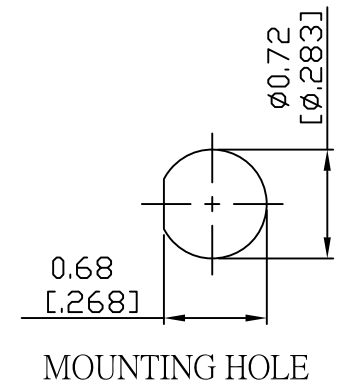


NO.	COMPONENTS	IMPEDANCE
1	SMA FEMALE FOR BULKHEAD	50 OHM
2	RG316	50 OHM
3	HEAT SHRINKING TUBE	
4	MMCX MALE	50 OHM

REVISION			
REV.	DESCRIPTON	DATE	APPROVED
-	INITIAL RELEASE	2012/08/15	



JYE BAO P/N	L CM (INCH)	L1 FT (MM)
A85E30-316-15	15 (5.906)	0.459 (140.0)
A85E30-316-30	30 (11.811)	0.951 (290.0)
A85E30-316-50	50 (19.685)	1.608 (490.0)
A85E30-316-100	100 (39.370)	3.248 (990.0)
A85E30-316-150	150 (59.055)	4.888 (1490.0)
A85E30-316-200	200 (78.740)	6.529 (1990.0)
A85E30-316-XXX	CUSTOM LENGTH IN CM	- - -



4	MMCX3100-0316	MMCX PLUG	1	EA
3	G5(F)-4.0MM-BLACK	TUBE	0.04	M
2	RG316	CABLE	L1 (SEE TABLE)	FT
1	SMA8105-0316	SMA JACK	1	EA
NO.	PARTS NO.	DESCRIPTION	Q'TY	U/M

LENGTH TOLERANCE IS ±1.5% OR ±10MM, WHICHEVER IS GREATER.	STANDARD	REV -	UNIT CM(INCH)	JYE BAO CO., LTD. TAIPEI TAIWAN
	APPROVED	DATE		
	CHECKED	DATE		DESCRIPTION CABLE ASSEMBLY SMA JACK FOR BULKHEAD TO MMCX PLUG
	DRAWING Albert	DATE		JYE BAO DRAWING NO. A85E30-316-XXX