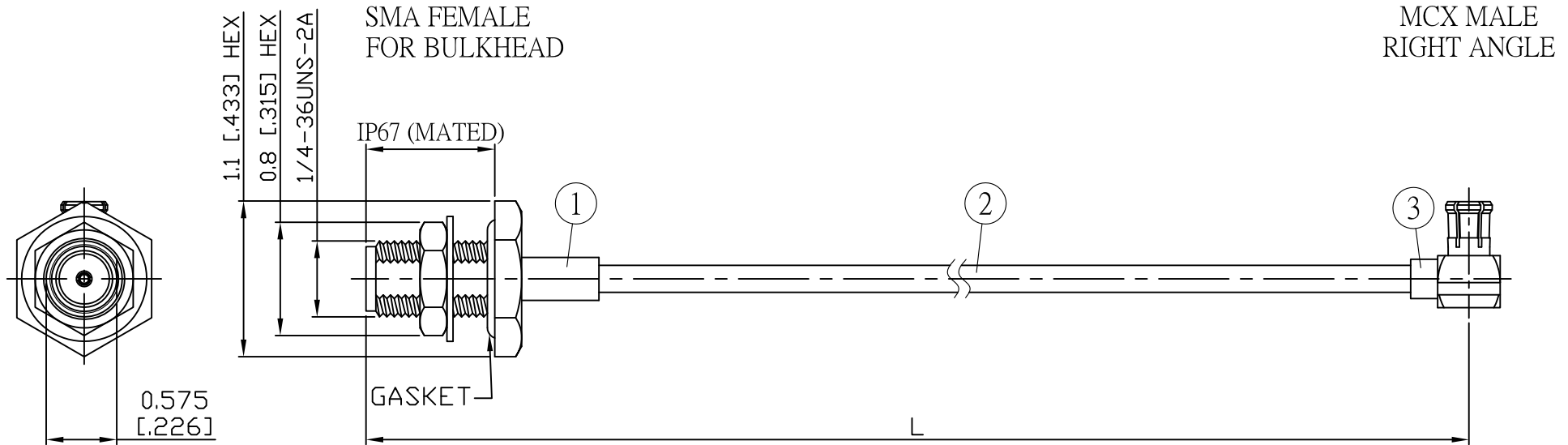
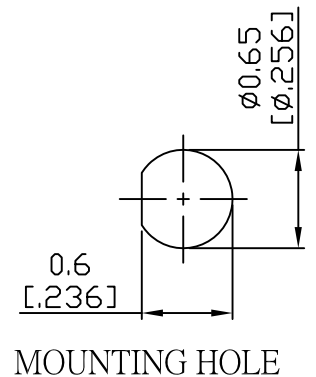


NO.	COMPONENTS	IMPEDANCE
1	SMA FEMALE FOR BULKHEAD	50 OHM
2	.085" TIN PLATED SEMI-RIGID CABLE (TIN PLATED RG405)	50 OHM
3	MCX MALE RIGHT ANGLE	50 OHM

REVISION			
REV.	DESCRIPTON	DATE	APPROVED
-	INITIAL RELEASE	2012/08/15	
A	修正SMA螺紋規格	2013/10/01	



JYE BAO P/N	L CM (INCH)	L1 FT (MM)
A85D39-85T-15	15 (5.906)	0.474 (144.5)
A85D39-85T-30	30 (11.811)	0.966 (294.5)
A85D39-85T-50	50 (19.685)	1.622 (494.5)
A85D39-85T-100	100 (39.370)	3.263 (994.5)
A85D39-85T-150	150 (59.055)	4.903 (1494.5)
A85D39-85T-200	200 (78.740)	6.544 (1994.5)
A85D39-85T-XXX	CUSTOM LENGTH IN CM	- - -



					STANDARD	REV A	UNIT CM(INCH)	<b>JYE BAO CO., LTD.</b>	
					APPROVED			TAIPEI TAIWAN	
					CHECKED			DESCRIPTION CABLE ASSEMBLY SMA JACK FOR BULKHEAD TO MCX PLUG R/A	
					DRAWING			JYE BAO DRAWING NO.	
					Albert			A85D39-85T-XXX	
3	MCX3300-9085	MCX PLUG R/A	1	EA	LENGTH TOLERANCE IS ±1.5% OR ±10MM, WHICHEVER IS GREATER.				
2	.085TIN-W-P-50	CABLE	L1 (SEE TABLE)	FT					
1	SMA8305-0085	SMA JACK	1	EA					
NO.	PARTS NO.	DESCRIPTION	Q'TY	U/M					