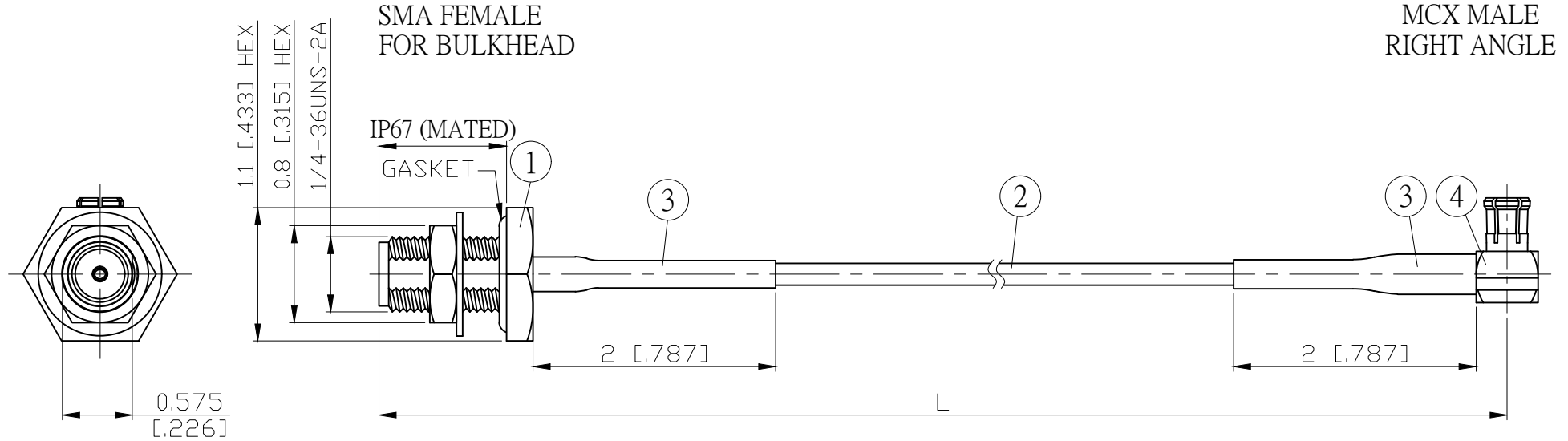
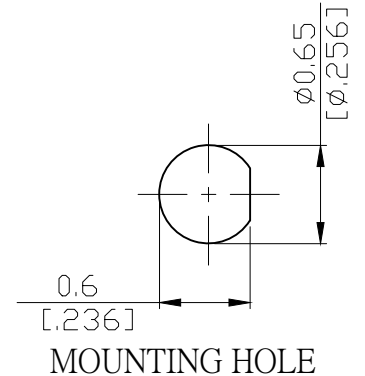


NO.	COMPONENTS	IMPEDANCE
1	SMA FEMALE FOR BULKHEAD	50 OHM
2	RG178	50 OHM
3	HEAT SHRINKING TUBE	
4	MCX MALE RIGHT ANGLE	50 OHM

REVISION			
REV.	DESCRIPTION	DATE	APPROVED
-	INITIAL RELEASE	2012/08/15	
A	修正SMA螺紋規格	2013/10/01	
B	SMA8305A-0178=>SMA8305PF1-0178	2022/05/19	



JYE BAO P/N	L CM (INCH)	L1 M (MM)
A85D39-178-15	15 (5.906)	0.145 (144.5)
A85D39-178-30	30 (11.811)	0.295 (294.5)
A85D39-178-50	50 (19.685)	0.495 (494.5)
A85D39-178-100	100 (39.370)	0.995 (994.5)
A85D39-178-150	150 (59.055)	1.495 (1494.5)
A85D39-178-200	200 (78.740)	1.995 (1994.5)
A85D39-178-XXX	CUSTOM LENGTH IN CM	- - -



4	MCX3100-9178	MCX PLUG R/A	1	EA
3	G5(F)-3.0MM-BLACK	TUBE	0.04	M
2	RG178	CABLE	SEE TABLE L1	M
1	SMA8305PF1-0178	SMA JACK	1	EA
NO.	PARTS NO.	DESCRIPTION	Q'TY	U/M

LENGTH TOLERANCE IS ±1.5% OR ±10MM, WHICHEVER IS GREATER.	STANDARD	REV B	UNIT CM(INCH)	<b>JYE BAO CO., LTD.</b> TAIPEI TAIWAN
	APPROVED		DATE	
	CHECKED		DATE	
	DRAWING <i>Albert</i>		DATE	
DESCRIPTION CABLE ASSEMBLY SMA JACK FOR BULKHEAD TO MCX PLUG R/A				JYE BAO DRAWING NO. A85D39-178-XXX