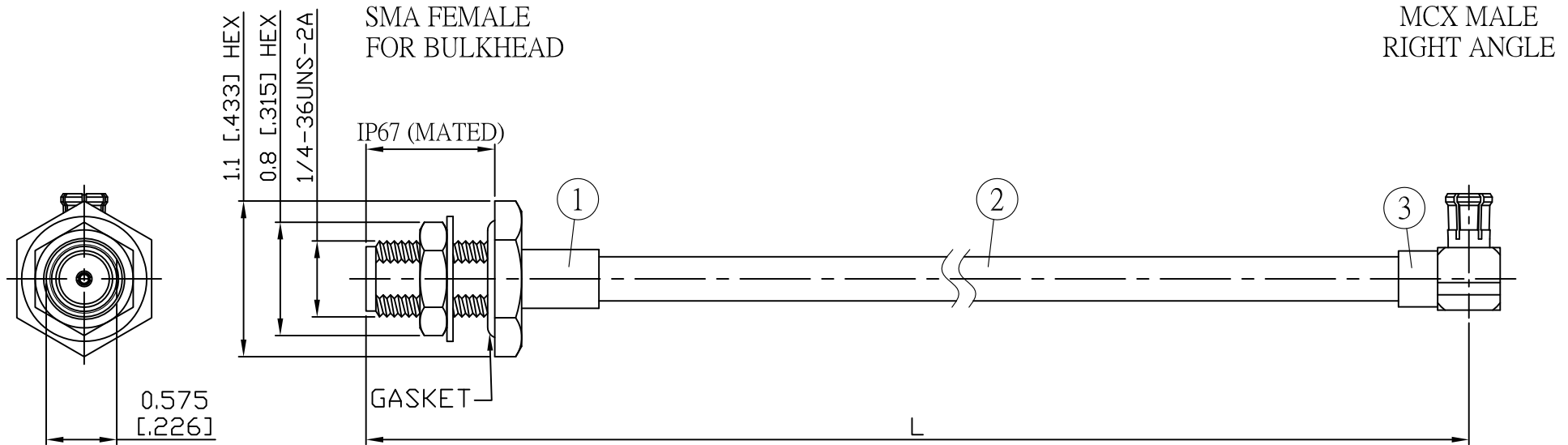
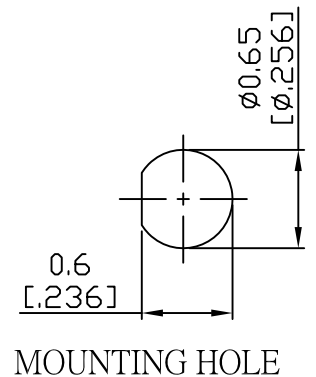


NO.	COMPONENTS	IMPEDANCE
1	SMA FEMALE FOR BULKHEAD	50 OHM
2	.141" HANDBENDABLE CABLE (= JYEBAO P/N .141SRF-W-P-50)	50 OHM
3	MCX MALE RIGHT ANGLE	50 OHM

REVISION			
REV.	DESCRIPTION	DATE	APPROVED
-	INITIAL RELEASE	2012/08/15	
A	修正SMA螺紋規格	2013/10/01	



JYE BAO P/N	L CM (INCH)	L1 FT (MM)
A85D39-141S-15	15 (5.906)	0.474 (144.5)
A85D39-141S-30	30 (11.811)	0.966 (294.5)
A85D39-141S-50	50 (19.685)	1.622 (494.5)
A85D39-141S-100	100 (39.370)	3.263 (994.5)
A85D39-141S-150	150 (59.055)	4.903 (1494.5)
A85D39-141S-200	200 (78.740)	6.544 (1994.5)
A85D39-141S-XXX	CUSTOM LENGTH IN CM	- - -



				STANDARD	REV A	UNIT CM(INCH)	JYE BAO CO., LTD.	
				APPROVED			TAIPEI TAIWAN	
				CHECKED		DATE	DESCRIPTION CABLE ASSEMBLY SMA JACK FOR BULKHEAD TO MCX PLUG R/A	
				DRAWING	Albert	DATE	JYE BAO DRAWING NO. A85D39-141S-XXX	
3	MCX3300-9141	MCX PLUG R/A	1	EA	LENGTH TOLERANCE IS ±1.5% OR ±10MM, WHICHEVER IS GREATER.			
2	.141SRF-W-P-50	CABLE	L1 (SEE TABLE)	FT				
1	SMA8305-0141	SMA JACK	1	EA				
NO.	PARTS NO.	DESCRIPTION	Q'TY	U/M				