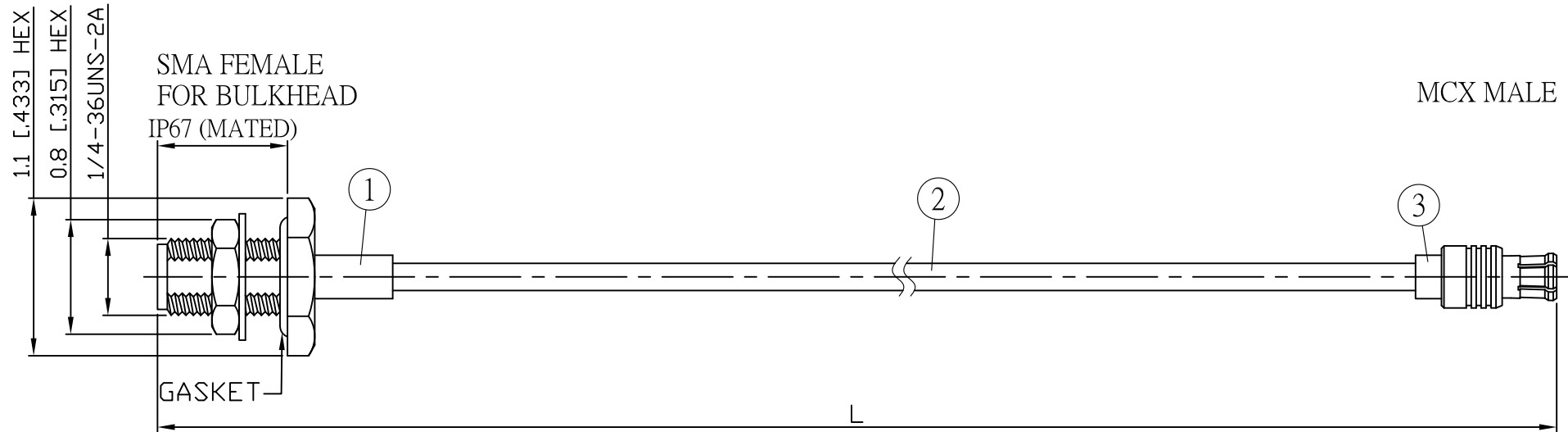
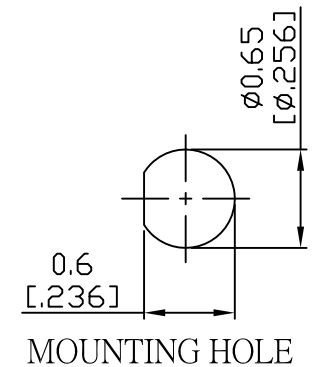


| NO. | COMPONENTS   | IMPEDANCE |
|-----|--|-----------|
| 1   | SMA FEMALE FOR BULKHEAD                              | 50 OHM    |
| 2   | .085" TIN PLATED SEMI-RIGID CABLE (TIN PLATED RG405) | 50 OHM    |
| 3   | MCX MALE   | 50 OHM    |

| REVISION |                 |            |          |
|----------|-----------------|------------|----------|
| REV.     | DESCRIPTION     | DATE       | APPROVED |
| -        | INITIAL RELEASE | 2012/08/15 |          |
| A        | 修正SMA螺紋規格       | 2013/10/01 |          |



| JYE BAO P/N    | L<br>CM (INCH)         | L1<br>FT (MM)  |
|----------------|------------------------|----------------|
| A85D30-85T-15  | 15 (5.906)             | 0.454 (138.5)  |
| A85D30-85T-30  | 30 (11.811)            | 0.947 (288.5)  |
| A85D30-85T-50  | 50 (19.685)            | 1.603 (488.5)  |
| A85D30-85T-100 | 100 (39.370)           | 3.243 (988.5)  |
| A85D30-85T-150 | 150 (59.055)           | 4.884 (1488.5) |
| A85D30-85T-200 | 200 (78.740)           | 6.524 (1988.5) |
| A85D30-85T-XXX | CUSTOM<br>LENGTH IN CM | - - -          |



|     |                |             |                |     |   |                   |          |   |   |
|-----|----------------|-------------|----------------|-----|---|-------------------|----------|---|---|
| 3   | MCX3300-0085   | MCX PLUG    | 1              | EA  | LENGTH TOLERANCE IS ±1.5% OR ±10MM, WHICHEVER IS GREATER. | STANDARD          | REV<br>A | UNIT<br>CM(INCH)  | <b>JYE BAO CO., LTD.</b><br>TAIPEI TAIWAN |
|     |                |             |                |     |   | APPROVED          | DATE     | DESCRIPTION<br>CABLE ASSEMBLY SMA JACK FOR BULKHEAD TO MCX PLUG |   |
|     |                |             |                |     |   | CHECKED           | DATE     | DESCRIPTION<br>CABLE ASSEMBLY SMA JACK FOR BULKHEAD TO MCX PLUG |   |
|     |                |             |                |     |   | DRAWING<br>Albert | DATE     | JYE BAO DRAWING NO.<br>A85D30-85T-XXX                           |   |
| 2   | .085TIN-W-P-50 | CABLE       | L1 (SEE TABLE) | FT  |   |                   |          |   |   |
| 1   | SMA8305-0085   | SMA JACK    | 1              | EA  |   |                   |          |   |   |
| NO. | PARTS NO.      | DESCRIPTION | Q'TY           | U/M |   |                   |          |   |   |