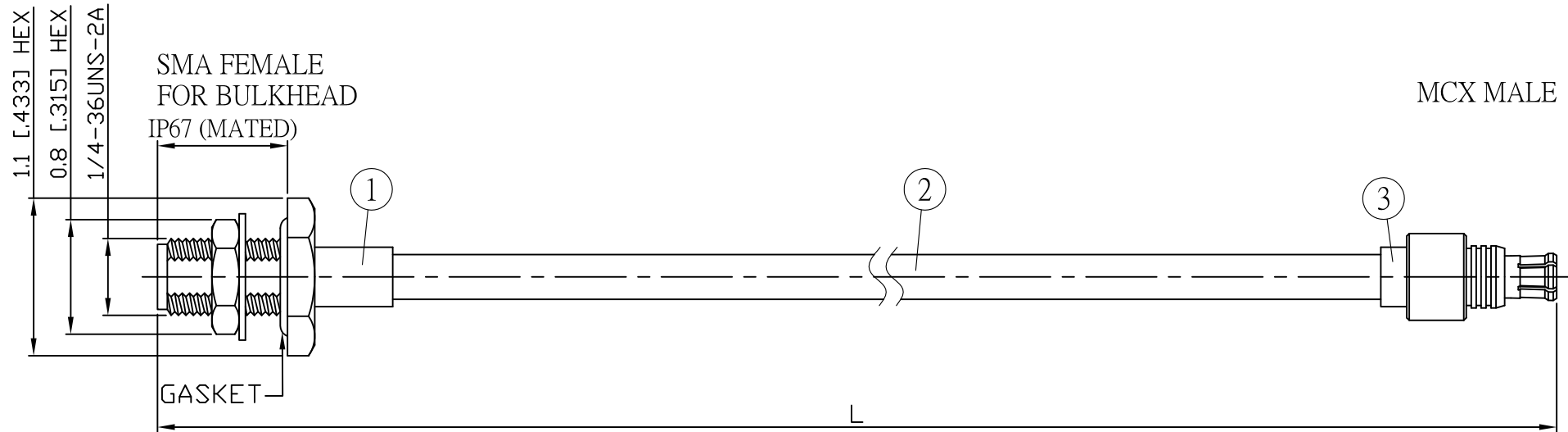
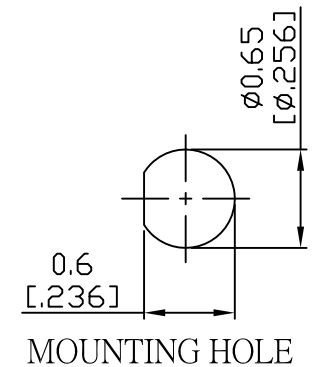


NO.	COMPONENTS	IMPEDANCE
1	SMA FEMALE FOR BULKHEAD	50 OHM
2	.141" TIN PLATED SEMI-RIGID CABLE (TIN PLATED RG402)	50 OHM
3	MCX MALE	50 OHM

REVISION			
REV.	DESCRIPTON	DATE	APPROVED
-	INITIAL RELEASE	2012/08/15	
A	修正SMA螺紋規格	2013/10/01	



JYE BAO P/N	L CM (INCH)	L1 FT (MM)
A85D30-141T-15	15 (5.906)	0.446 (136.0)
A85D30-141T-30	30 (11.811)	0.938 (286.0)
A85D30-141T-50	50 (19.685)	1.594 (486.0)
A85D30-141T-100	100 (39.370)	3.235 (986.0)
A85D30-141T-150	150 (59.055)	4.875 (1486.0)
A85D30-141T-200	200 (78.740)	6.516 (1986.0)
A85D30-141T-XXX	CUSTOM LENGTH IN CM	- - -



3	MCX3300-0141	MCX PLUG	1	EA
2	.141TIN-W-P-50	CABLE	L1 (SEE TABLE)	FT
1	SMA8305-0141	SMA JACK	1	EA
NO.	PARTS NO.	DESCRIPTION	Q'TY	U/M

LENGTH TOLERANCE IS $\pm 1.5\%$ OR $\pm 10$ MM, WHICHEVER IS GREATER.	STANDARD	REV A	UNIT CM(INCH)	<b>JYE BAO CO., LTD.</b> TAIPEI TAIWAN
	APPROVED	DATE		
	CHECKED	DATE		DESCRIPTION CABLE ASSEMBLY SMA JACK FOR BULKHEAD TO MCX PLUG
	DRAWING Albert	DATE		JYE BAO DRAWING NO. A85D30-141T-XXX