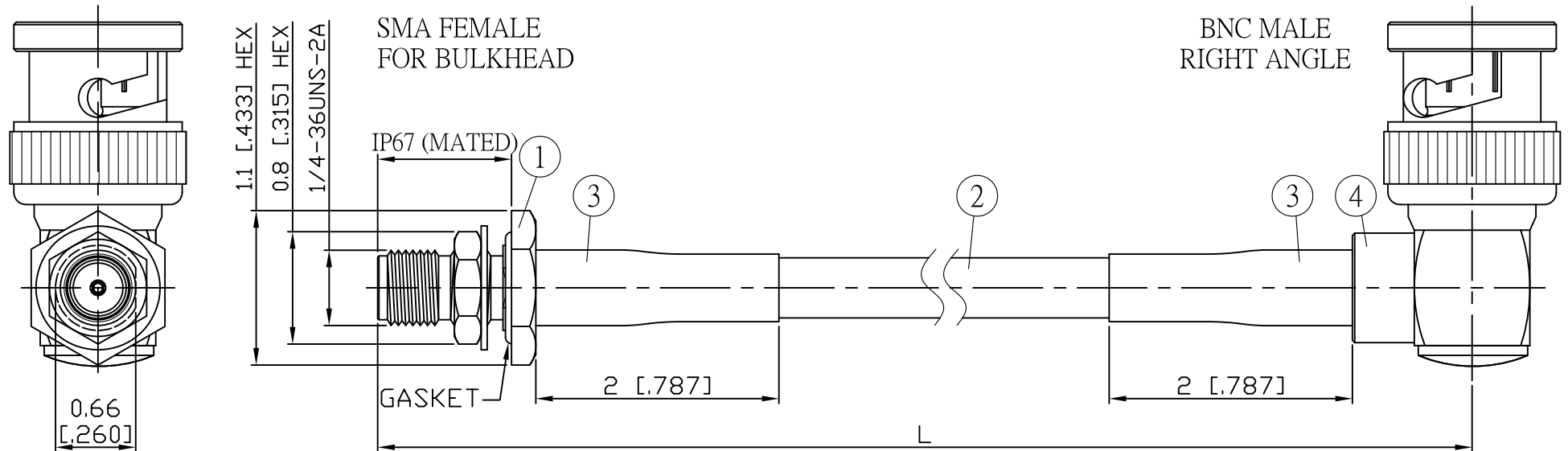
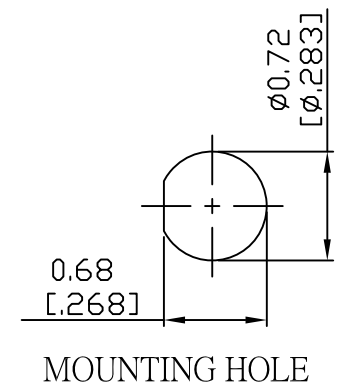


| NO. | COMPONENTS | IMPEDANCE |
|-----|-------------------------|-----------|
| 1 | SMA FEMALE FOR BULKHEAD | 50 OHM |
| 2 | JBY195 | 50 OHM |
| 3 | HEAT SHRINKING TUBE | |
| 4 | BNC MALE RIGHT ANGLE | 50 OHM |

| REVISION | | | |
|----------|-----------------|------------|----------|
| REV. | DESCRIPTION | DATE | APPROVED |
| - | INITIAL RELEASE | 2012/06/06 | |
| A | 修正SMA螺紋規格 | 2013/10/01 | |



| JYE BAO P/N | L CM (INCH) | L1 FT (MM) |
|-----------------|------------------------|----------------|
| A85B39-L195-15 | 15 (5.906) | 0.477 (145.5) |
| A85B39-L195-30 | 30 (11.811) | 0.969 (295.5) |
| A85B39-L195-50 | 50 (19.685) | 1.626 (495.5) |
| A85B39-L195-100 | 100 (39.370) | 3.266 (995.5) |
| A85B39-L195-150 | 150 (59.055) | 4.906 (1495.5) |
| A85B39-L195-200 | 200 (78.740) | 6.547 (1995.5) |
| A85B39-L195-XXX | CUSTOM LENGTH IN CM | - - - |



| | | | | |
|-----|-------------------|--------------|----------------|-----|
| 4 | BNC3100-9058 | BNC PLUG R/A | 1 | EA |
| 3 | G5(F)-8.0MM-BLACK | TUBE | 0.04 | M |
| 2 | JBY195 | CABLE | L1 (SEE TABLE) | FT |
| 1 | SMA8105-0058 | SMA JACK | 1 | EA |
| NO. | PARTS NO. | DESCRIPTION | Q'TY | U/M |

| | | | | |
|---|-------------------|----------|------------------|---|
| LENGTH TOLERANCE IS ±1.5% OR ±10MM, WHICHEVER IS GREATER. | STANDARD | REV A | UNIT CM(INCH) | JYE BAO CO., LTD. TAIPEI TAIWAN |
| | APPROVED | | DATE | |
| | CHECKED | | DATE | |
| | DRAWING Albert | | DATE | |
| DESCRIPTION CABLE ASSEMBLY SMA JACK FOR BULKHEAD TO BNC PLUG R/A | | | | JYE BAO DRAWING NO. A85B39-L195-XXX |
| JYE BAO DRAWING NO. A85B39-L195-XXX | | | | |