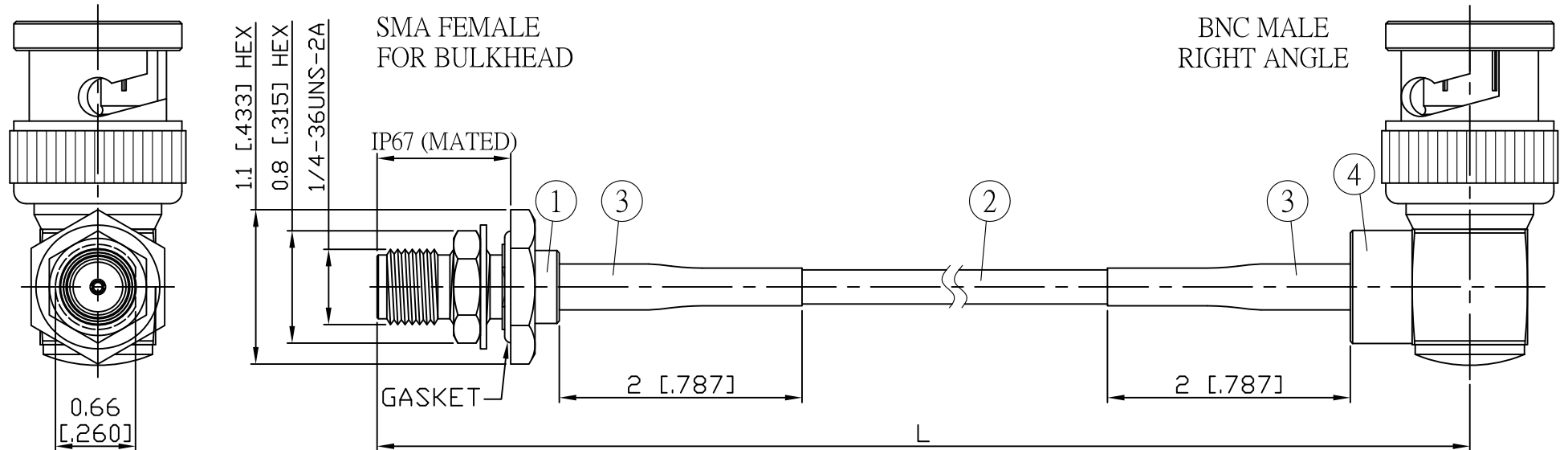
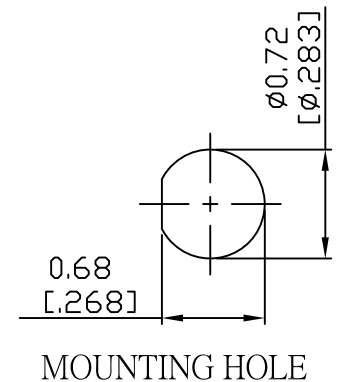


| NO. | COMPONENTS              | IMPEDANCE |
|-----|-------------------------|-----------|
| 1   | SMA FEMALE FOR BULKHEAD | 50 OHM    |
| 2   | JBY100                  | 50 OHM    |
| 3   | HEAT SHRINKING TUBE     |           |
| 4   | BNC MALE RIGHT ANGLE    | 50 OHM    |

| REVISION |                 |            |          |
|----------|-----------------|------------|----------|
| REV.     | DESCRIPTION     | DATE       | APPROVED |
| -        | INITIAL RELEASE | 2012/06/06 |          |
| A        | 修正SMA螺紋規格       | 2013/10/01 |          |



| JYE BAO P/N     | L<br>CM (INCH)         | L1<br>FT (MM)  |
|-----------------|------------------------|----------------|
| A85B39-L100-15  | 15 (5.906)             | 0.477 (145.5)  |
| A85B39-L100-30  | 30 (11.811)            | 0.969 (295.5)  |
| A85B39-L100-50  | 50 (19.685)            | 1.626 (495.5)  |
| A85B39-L100-100 | 100 (39.370)           | 3.266 (995.5)  |
| A85B39-L100-150 | 150 (59.055)           | 4.906 (1495.5) |
| A85B39-L100-200 | 200 (78.740)           | 6.547 (1995.5) |
| A85B39-L100-XXX | CUSTOM<br>LENGTH IN CM | - - -          |



|     |                   |              |                |     |
|-----|-------------------|--------------|----------------|-----|
| 4   | BNC3100-9L100     | BNC PLUG R/A | 1              | EA  |
| 3   | G5(F)-4.0MM-BLACK | TUBE         | 0.04           | M   |
| 2   | JBY100            | CABLE        | L1 (SEE TABLE) | FT  |
| 1   | SMA8105-L100      | SMA JACK     | 1              | EA  |
| NO. | PARTS NO.         | DESCRIPTION  | Q'TY           | U/M |

|   |                   |          |                  |   |
|---|-------------------|----------|------------------|---|
| LENGTH TOLERANCE IS $\pm 1.5\%$ OR $\pm 10$ MM, WHICHEVER IS GREATER. | STANDARD          | REV<br>A | UNIT<br>CM(INCH) | <b>JYE BAO CO., LTD.</b><br>TAIPEI TAIWAN |
|   | APPROVED          |          | DATE             |   |
|   | CHECKED           |          | DATE             |   |
|   | DRAWING<br>Albert |          | DATE             |   |
| DESCRIPTION<br>CABLE ASSEMBLY SMA JACK FOR BULKHEAD TO BNC PLUG R/A   |                   |          |                  | JYE BAO DRAWING NO.<br>A85B39-L100-XXX    |
| DATE  |                   |          |                  |   |