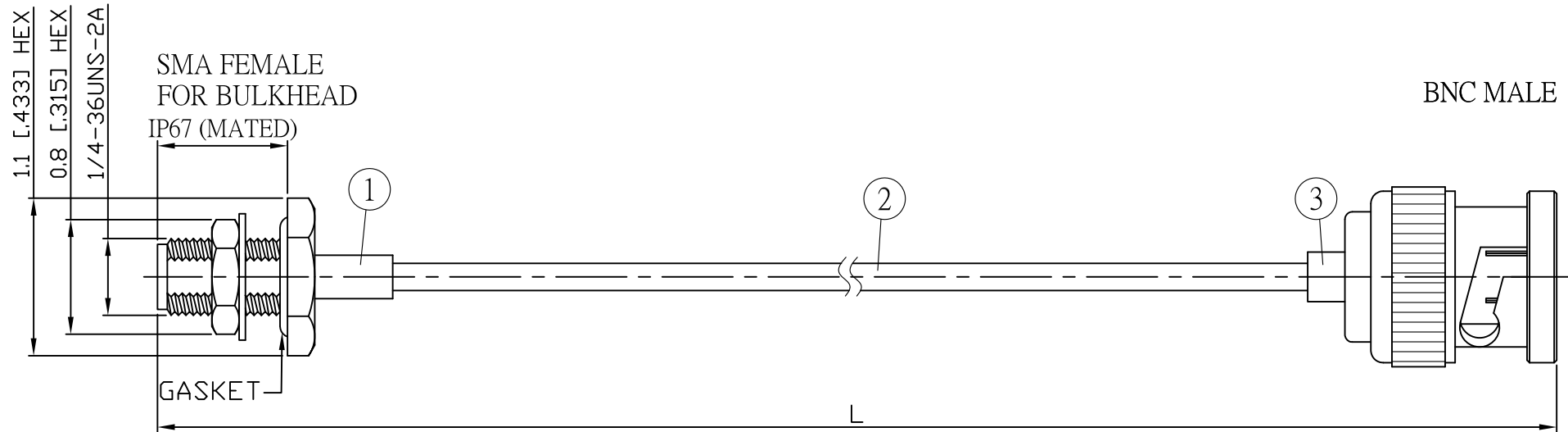
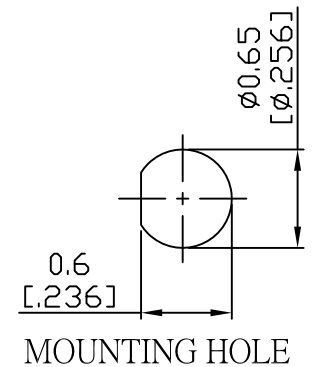


NO.	COMPONENTS	IMPEDANCE
1	SMA FEMALE FOR BULKHEAD	50 OHM
2	.085" HANDBENDABLE CABLE (= JYEBAO P/N .085SRF-W-P-50)	50 OHM
3	BNC MALE	50 OHM

REVISION			
REV.	DESCRIPTON	DATE	APPROVED
-	INITIAL RELEASE	2012/06/06	
A	修正SMA螺紋規格	2013/10/01	



JYE BAO P/N	L CM (INCH)	L1 FT (MM)
A85B30-85S-15	15 (5.906)	0.445 (135.5)
A85B30-85S-30	30 (11.811)	0.937 (285.5)
A85B30-85S-50	50 (19.685)	1.593 (485.5)
A85B30-85S-100	100 (39.370)	3.233 (985.5)
A85B30-85S-150	150 (59.055)	4.874 (1485.5)
A85B30-85S-200	200 (78.740)	6.514 (1985.5)
A85B30-85S-XXX	CUSTOM LENGTH IN CM	- - -



				STANDARD	REV A	UNIT CM(INCH)	<b>JYE BAO CO., LTD.</b>		
LENGTH TOLERANCE IS ±1.5% OR ±10MM, WHICHEVER IS GREATER.				APPROVED			TAIPEI TAIWAN		
				CHECKED			DESCRIPTION	CABLE ASSEMBLY SMA JACK FOR BULKHEAD TO BNC PLUG	
				DRAWING	Albert		JYE BAO DRAWING NO.	A85B30-85S-XXX	
NO.	PARTS NO.	DESCRIPTION	Q'TY	U/M					
3	BNC3300-0085	BNC PLUG	1	EA					
2	.085SRF-W-P-50	CABLE	L1 (SEE TABLE)	FT					
1	SMA8305-0085	SMA JACK	1	EA					