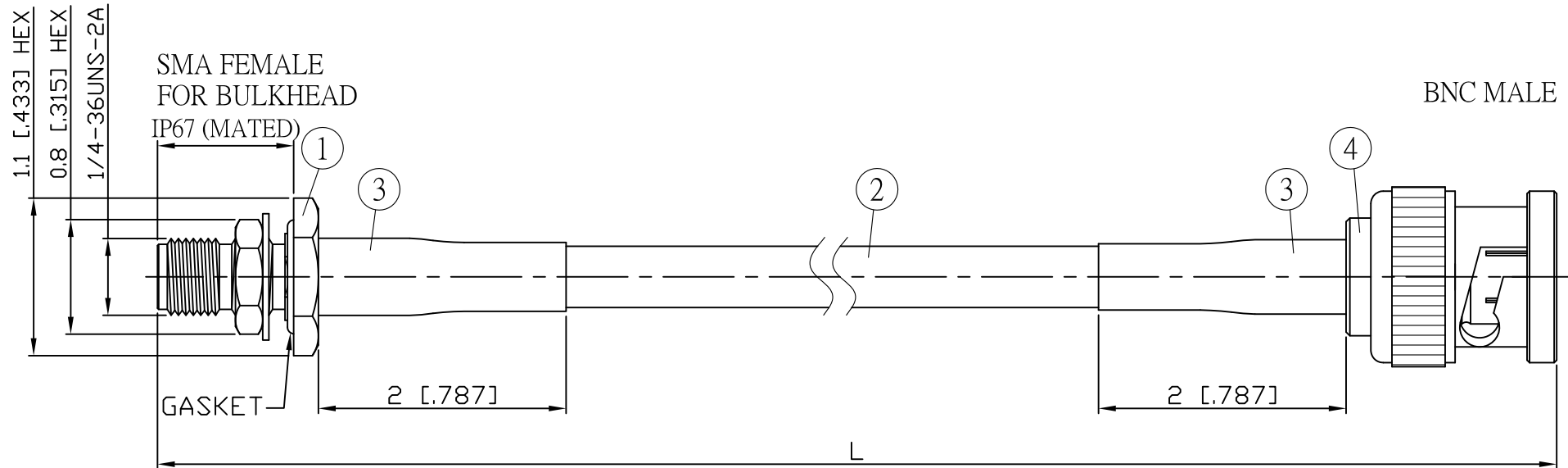
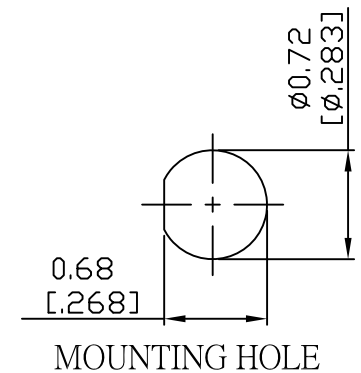


NO.	COMPONENTS	IMPEDANCE
1	SMA FEMALE FOR BULKHEAD	50 OHM
2	RG58	50 OHM
3	HEAT SHRINKING TUBE	
4	BNC MALE	50 OHM

REVISION			
REV.	DESCRIPTION	DATE	APPROVED
-	INITIAL RELEASE	2012/06/06	
A	修正SMA螺紋規格	2013/10/01	



JYE BAO P/N	L CM (INCH)	L1 FT (MM)
A85B30-58-15	15 (5.906)	0.445 (135.5)
A85B30-58-30	30 (11.811)	0.937 (285.5)
A85B30-58-50	50 (19.685)	1.593 (485.5)
A85B30-58-100	100 (39.370)	3.233 (985.5)
A85B30-58-150	150 (59.055)	4.874 (1485.5)
A85B30-58-200	200 (78.740)	6.514 (1985.5)
A85B30-58-XXX	CUSTOM LENGTH IN CM	- - -



4	BNC3100-0058	BNC PLUG	1	EA
3	G5(F)-8.0MM-BLACK	TUBE	0.04	M
2	RG58	CABLE	L1 (SEE TABLE)	FT
1	SMA8105-0058	SMA JACK	1	EA
NO.	PARTS NO.	DESCRIPTION	Q'TY	U/M

LENGTH TOLERANCE IS $\pm 1.5\%$ OR ± 10 MM, WHICHEVER IS GREATER.	STANDARD	REV A	UNIT CM(INCH)	JYE BAO CO., LTD. TAIPEI TAIWAN
	APPROVED	DATE	DESCRIPTION CABLE ASSEMBLY SMA JACK FOR BULKHEAD TO BNC PLUG	
	CHECKED	DATE	DRAWING Albert	DRAWING NO. JYE BAO DRAWING NO.
		DATE		A85B30-58-XXX