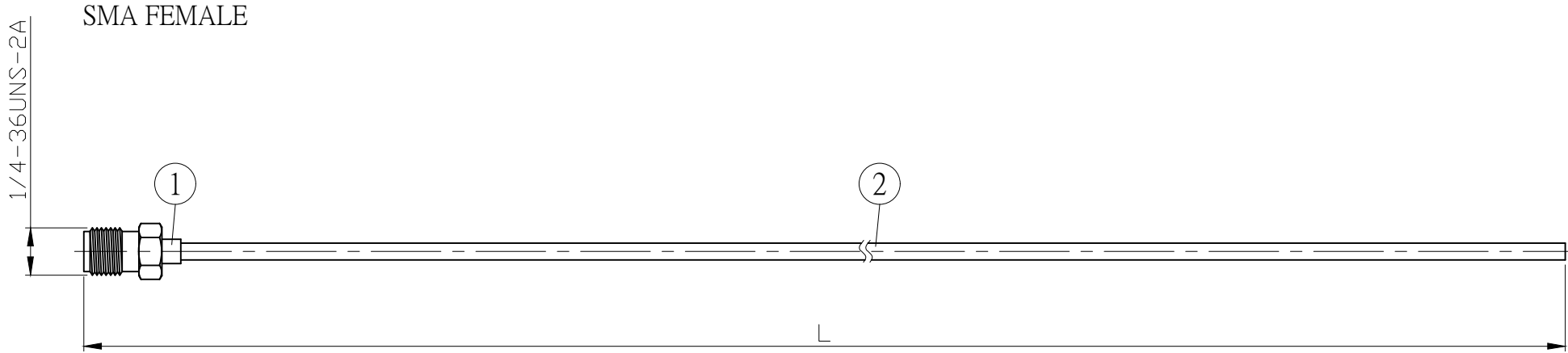


NO.	COMPONENTS	IMPEDANCE
1	SMA FEMALE	50 OHM
2	.085" TIN PLATED SEMI-RIGID CABLE (TIN PLATED RG405)	50 OHM

REVISION			
REV.	DESCRIPTION	DATE	APPROVED
-	INITIAL RELEASE	2022/06/01	

TEST LEAD WITH EXTRA STURDY CABLE / CONNECTOR CONNECTION.



JYE BAO P/N	Freq. (GHz)	Max. Return Loss	L CM (INCH)	L1 M (MM)
A80XXX-85T-18GXXX	18	-16.5dB	50 (19.685)	0.495 (494.5)
			100 (39.370)	0.995 (994.5)
			150 (59.055)	1.495 (1494.5)
			200 (78.740)	1.995 (1994.5)
			CUSTOM LENGTH IN CM	- - -

NOTES:

1. USE LEAD FREE SOLDER. (使用無鉛錫焊接)
2. VSWR: MAX 1.35:1 UP TO 18GHz
3. 100% RL TEST (100% RL測試)
(Make SMA jack to SMA jack assemblies at double length; test RL & cut in half)
[先做一條兩端SMA接頭的組線，RL測試後在組線一半位置切開]

LENGTH TOLERANCE IS ±1.5% OR ±10MM, WHICHEVER IS GREATER.				STANDARD	REV -	UNIT CM(INCH)	JYE BAO CO., LTD. TAIPEI TAIWAN	
				APPROVED				DATE
				CHECKED			DATE	DESCRIPTION CABLE ASSEMBLY FOR SMA JACK
				DRAWING <i>Albert</i>			DATE	JYE BAO DRAWING NO. A80XXX-85T-18GXXX
2	.085TIN-W-P-50	CABLE	SEE TABLE L1	M				
1	SMA8300-0085	SMA JACK	1	EA				
NO.	PARTS NO.	DESCRIPTION	Q'TY	U/M				