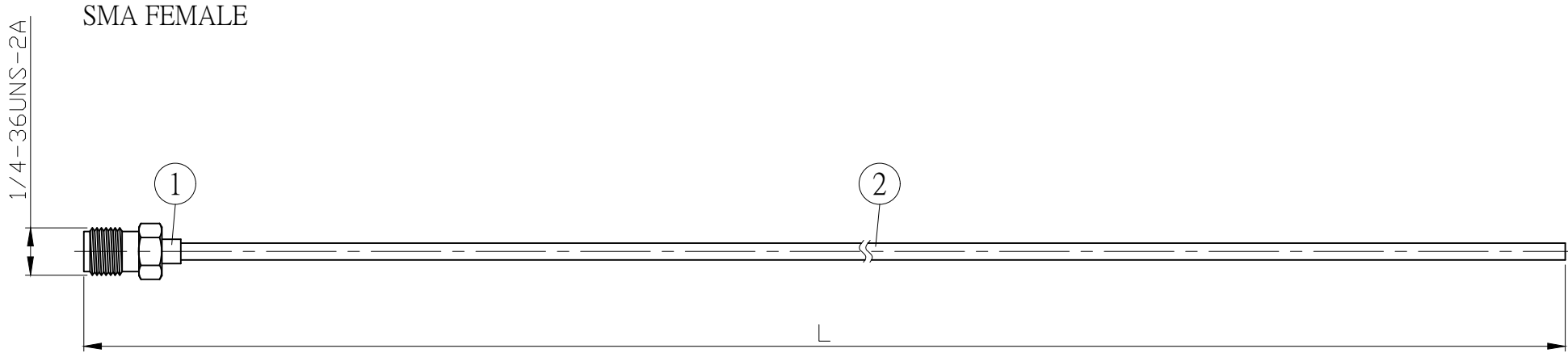


NO.	COMPONENTS	IMPEDANCE
1	SMA FEMALE	50 OHM
2	.085" HANDBENDABLE CABLE (= JYEBAO P/N .085SRF-W-P-50)	50 OHM

REVISION			
REV.	DESCRIPTION	DATE	APPROVED
-	INITIAL RELEASE	2022/06/01	

## TEST LEAD WITH EXTRA STURDY CABLE / CONNECTOR CONNECTION.



JYE BAO P/N	Freq. (GHz)	Max. Return Loss	L CM (INCH)	L1 M (MM)
A80XXX-85S-18GXXX	18	-16.5dB	50 (19.685)	0.495 (494.5)
			100 (39.370)	0.995 (994.5)
			150 (59.055)	1.495 (1494.5)
			200 (78.740)	1.995 (1994.5)
			CUSTOM LENGTH IN CM	- - -

**NOTES:**

1. USE LEAD FREE SOLDER. (使用無鉛錫焊接)
2. VSWR: MAX 1.35:1 UP TO 18GHz
3. 100% RL TEST (100% RL測試)  
(Make SMA jack to SMA jack assemblies at double length; test RL & cut in half)  
[先做一條兩端SMA接頭的組線，RL測試後在組線一半位置切開]

				STANDARD		REV	-	UNIT CM(INCH)	<b>JYE BAO CO., LTD.</b>	
				LENGTH TOLERANCE IS ±1.5% OR ±10MM, WHICHEVER IS GREATER.		APPROVED			DATE	
						CHECKED			DATE	
						DRAWING <i>Albert</i>			DATE	
2	.085SRF-W-P-50	CABLE	SEE TABLE L1	M	TAIPEI TAIWAN					
1	SMA8300-0085	SMA JACK	1	EA						
NO.	PARTS NO.	DESCRIPTION	Q'TY	U/M						
				DESCRIPTION			CABLE ASSEMBLY FOR SMA JACK			
				JYE BAO DRAWING NO.			A80XXX-85S-18GXXX			