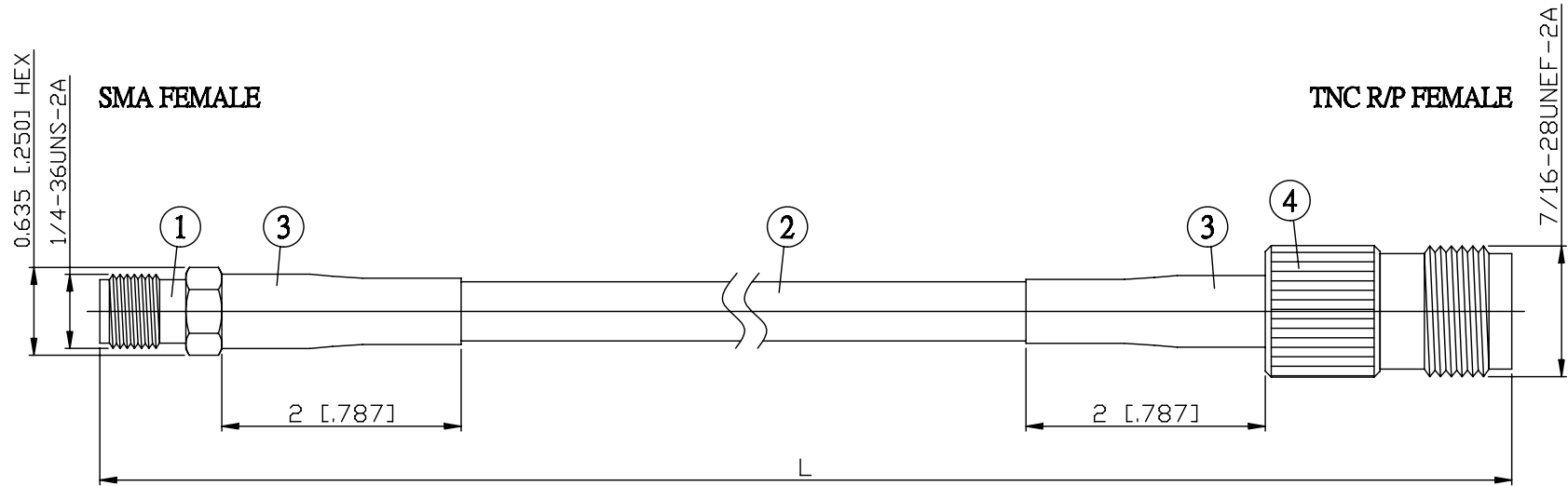


| NO. | COMPONENTS | IMPEDANCE |
|-----|-----------------------------|-----------|
| 1 | SMA FEMALE | 50 OHM |
| 2 | JBY195 | 50 OHM |
| 3 | HEAT SHRINKING TUBE | |
| 4 | TNC REVERSE POLARITY FEMALE | 50 OHM |



| JYE BAO P/N | L CM (INCH) |
|-----------------|------------------------|
| A80T90-L195-15 | 15 (5.906) |
| A80T90-L195-30 | 30 (11.811) |
| A80T90-L195-50 | 50 (19.685) |
| A80T90-L195-100 | 100 (39.370) |
| A80T90-L195-150 | 150 (59.055) |
| A80T90-L195-200 | 200 (78.740) |
| A80T90-L195-XXX | CUSTOM LENGTH IN CM |

| | |
|--|--|
| LENGTH TOLERANCE IS ±1.5% OR ±10MM, WHICHEVER IS GREATER. | JYE BAO CO., LTD. TAIPEI TAIWAN |
| | DESCRIPTION CABLE ASSEMBLY SMA JACK TO TNC R/P JACK |
| | JYE BAO DRAWING NO. A80T90-L195-XXX |