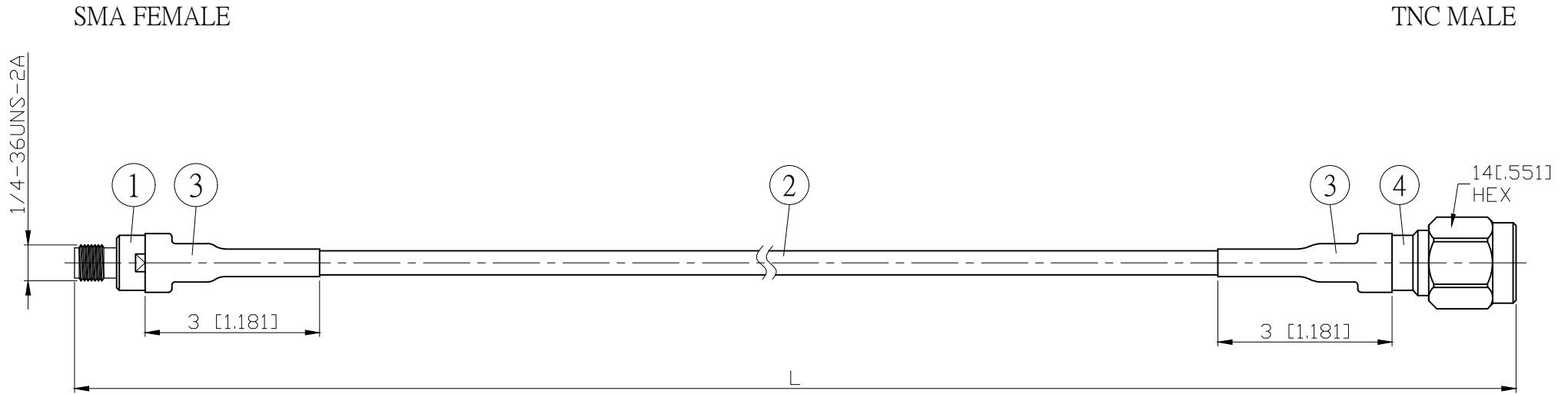


| NO. | COMPONENTS          | IMPEDANCE |
|-----|---------------------|-----------|
| 1   | SMA FEMALE          | 50 OHM    |
| 2   | 5003                | 50 OHM    |
| 3   | HEAT SHRINKING TUBE |           |
| 4   | TNC MALE            | 50 OHM    |

| REVISION |                 |            |          |
|----------|-----------------|------------|----------|
| REV.     | DESCRIPTON      | DATE       | APPROVED |
| -        | INITIAL RELEASE | 2020/08/10 |          |

**TEST LEAD WITH EXTRA STURDY  
CABLE / CONNECTOR CONNECTION.**



| JYE BAO P/N        | Freq. (GHz) | Max. Return Loss | L CM (INCH)         |
|--------------------|-------------|------------------|---------------------|
| A80T30-5003-18GXXX | 18          | -18dB            | 50 (19.685)         |
|                    |             |                  | 100 (39.370)        |
|                    |             |                  | 150 (59.055)        |
|                    |             |                  | 200 (78.740)        |
|                    |             |                  | CUSTOM LENGTH IN CM |

|                                                                              |                                                    |
|------------------------------------------------------------------------------|----------------------------------------------------|
| LENGTH TOLERANCE IS $\pm 1.5\%$ OR $\pm 10\text{MM}$ , WHICHEVER IS GREATER. | <b>JYE BAO CO., LTD.</b><br>TAIPEI TAIWAN          |
|                                                                              | DESCRIPTION<br>CABLE ASSEMBLY SMA JACK TO TNC PLUG |
|                                                                              | JYE BAO DRAWING NO.<br>A80T30-5003-18GXXX          |