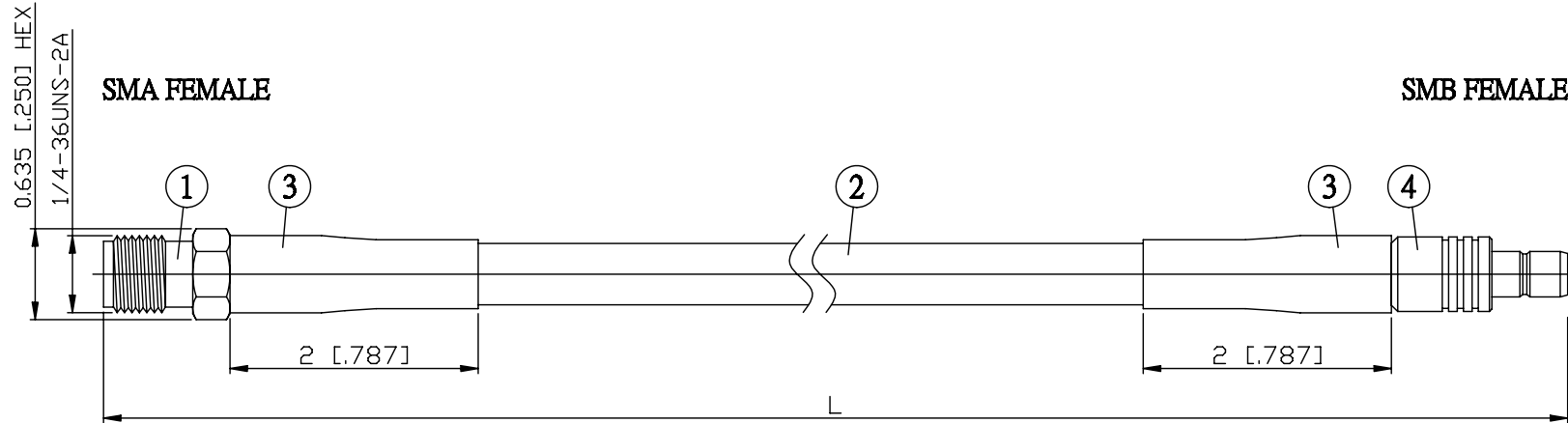


NO.	COMPONENTS	IMPEDANCE
1	SMA FEMALE	50 OHM
2	RG142	50 OHM
3	HEAT SHRINKING TUBE	
4	SMB FEMALE	50 OHM



JYE BAO P/N	L CM (INCH)
A80S80-142-15	15 (5.906)
A80S80-142-30	30 (11.811)
A80S80-142-50	50 (19.685)
A80S80-142-100	100 (39.370)
A80S80-142-150	150 (59.055)
A80S80-142-200	200 (78.740)
A80S80-142-XXX	CUSTOM LENGTH IN CM

LENGTH TOLERANCE IS ±1.5% OR ±10MM, WHICHEVER IS GREATER.	<b>JYE BAO CO., LTD.</b> TAIPEI TAIWAN
	DESCRIPTION CABLE ASSEMBLY SMA JACK TO SMB JACK
	JYE BAO DRAWING NO. A80S80-142-XXX