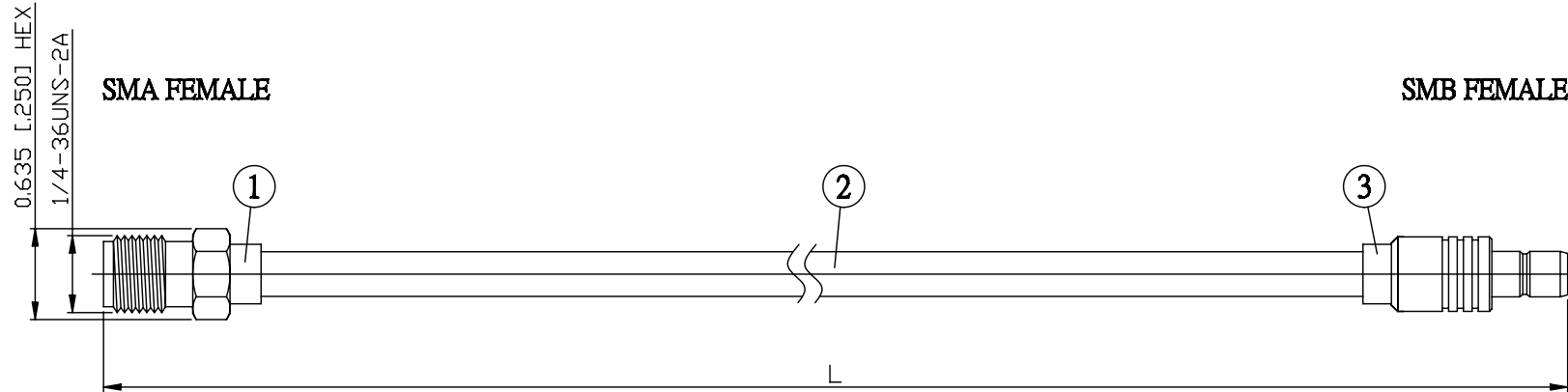


| NO. | COMPONENTS | IMPEDANCE |
|-----|---|-----------|
| 1 | SMA FEMALE | 50 OHM |
| 2 | .141" HANDBENDABLE CABLE (= JYEBAO P/N .141SRF-W-P-50) | 50 OHM |
| 3 | SMB FEMALE | 50 OHM |



| JYE BAO P/N | L CM (INCH) |
|-----------------|------------------------|
| A80S80-141S-15 | 15 (5.906) |
| A80S80-141S-30 | 30 (11.811) |
| A80S80-141S-50 | 50 (19.685) |
| A80S80-141S-100 | 100 (39.370) |
| A80S80-141S-150 | 150 (59.055) |
| A80S80-141S-200 | 200 (78.740) |
| A80S80-141S-XXX | CUSTOM LENGTH IN CM |

| | |
|---|--|
| LENGTH TOLERANCE IS $\pm 1.5\%$ OR $\pm 10\text{MM}$, WHICHEVER IS GREATER. | JYE BAO CO., LTD. TAIPEI TAIWAN |
| | DESCRIPTION CABLE ASSEMBLY SMA JACK TO SMB JACK |
| | JYE BAO DRAWING NO. A80S80-141S-XXX |