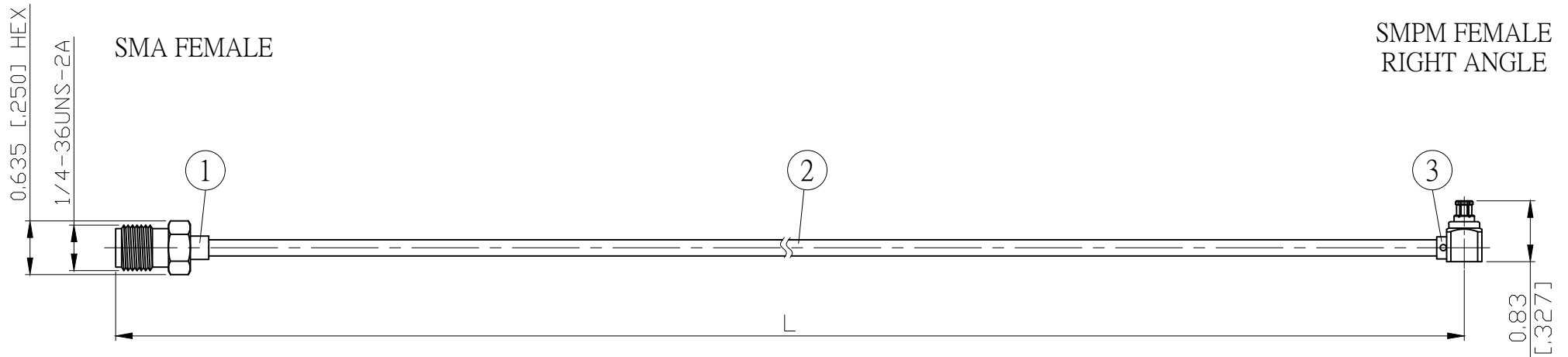


NO.	COMPONENTS	IMPEDANCE
1	SMA FEMALE	50 OHM
2	.085" HANDBENDABLE CABLE (= JYBAO P/N .085SRF-W-P-50)	50 OHM
3	SMPM FEMALE RIGHT ANGLE	50 OHM

REVISION			
REV.	DESCRIPTION	DATE	APPROVED
-	INITIAL RELEASE	2022/04/12	



JYE BAO P/N	Freq. (GHz)	Max. Return Loss	L CM (INCH)	L1 M (MM)
A80PM89-85S-18GXXX	18	-16.5dB	50 (19.685)	0.495 (495.0)
			100 (39.370)	0.995 (995.0)
			150 (59.055)	1.495 (1495.0)
			200 (78.740)	1.995 (1995.0)
			CUSTOM LENGTH IN CM	- - -

				STANDARD		REV -	UNIT CM(INCH)	JYE BAO CO., LTD.	
				APPROVED		DATE		TAIPEI TAIWAN	
				CHECKED		DATE		DESCRIPTION	
				DRAWING		DATE		CABLE ASSEMBLY SMA JACK TO SMPM JACK R/A	
				Albert		DATE		JYE BAO DRAWING NO.	
3	SMPM8300-9085	SMPM JACK R/A	1	EA					A80PM89-85S-18GXXX
2	.085SRF-W-P-50	CABLE	SEE TABLE L1	M					
1	SMA8300-0085	SMA JACK	1	EA					
NO.	PARTS NO.	DESCRIPTION	QTY	U/M					

LENGTH TOLERANCE IS ±1.5% OR ±10MM, WHICHEVER IS GREATER.