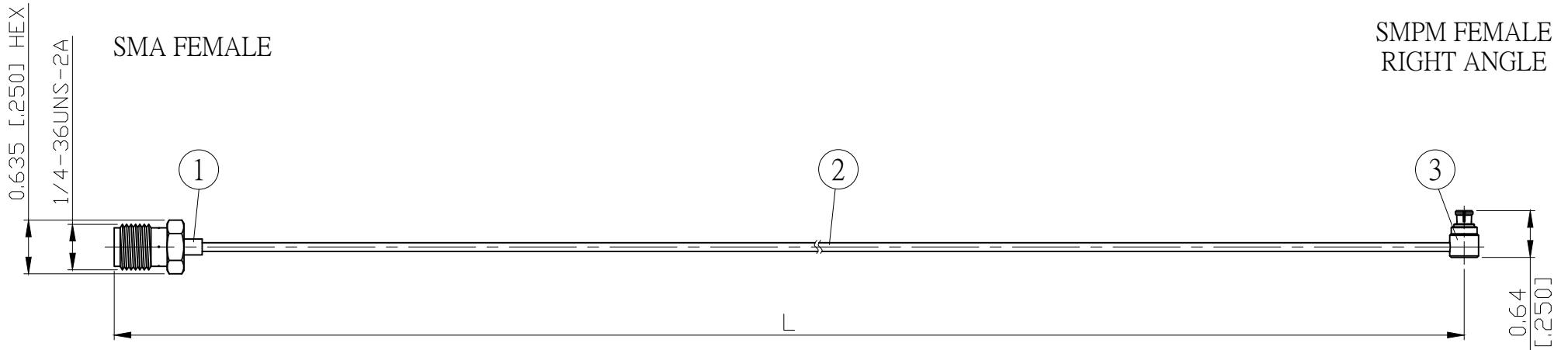


NO.	COMPONENTS	IMPEDANCE
1	SMA FEMALE	50 OHM
2	.047" HANDBENDABLE CABLE (= JYBAO P/N .047SRF-W-P-50)	50 OHM
3	SMPM FEMALE RIGHT ANGLE	50 OHM

REVISION			
REV.	DESCRIPTION	DATE	APPROVED
-	INITIAL RELEASE	2022/03/22	



JYE BAO P/N	Freq. (GHz)	Max. Return Loss	L CM (INCH)	L1 M (MM)
A80PM89-47S-18GXXX	18	-16.5dB	50 (19.685)	0.495 (495.0)
			100 (39.370)	0.995 (995.0)
			150 (59.055)	1.495 (1495.0)
			200 (78.740)	1.995 (1995.0)
			CUSTOM LENGTH IN CM	- - -

				LENGTH TOLERANCE IS ±1.5% OR ±10MM, WHICHEVER IS GREATER.	STANDARD	REV -	UNIT CM(INCH)	JYE BAO CO., LTD. TAIPEI TAIWAN
					APPROVED	DATE		
					CHECKED	DATE		
3	SMPM8300-9047	SMPM JACK R/A	1	EA	DRAWING		DATE	DESCRIPTION
2	.047SRF-W-P-50	CABLE	SEE TABLE L1	M	<i>Albert</i>		DATE	CABLE ASSEMBLY SMA JACK TO SMPM JACK R/A
1	SMA8300-0047	SMA JACK	1	EA				JYE BAO DRAWING NO.
NO.	PARTS NO.	DESCRIPTION	QTY	U/M			DATE	A80PM89-47S-18GXXX