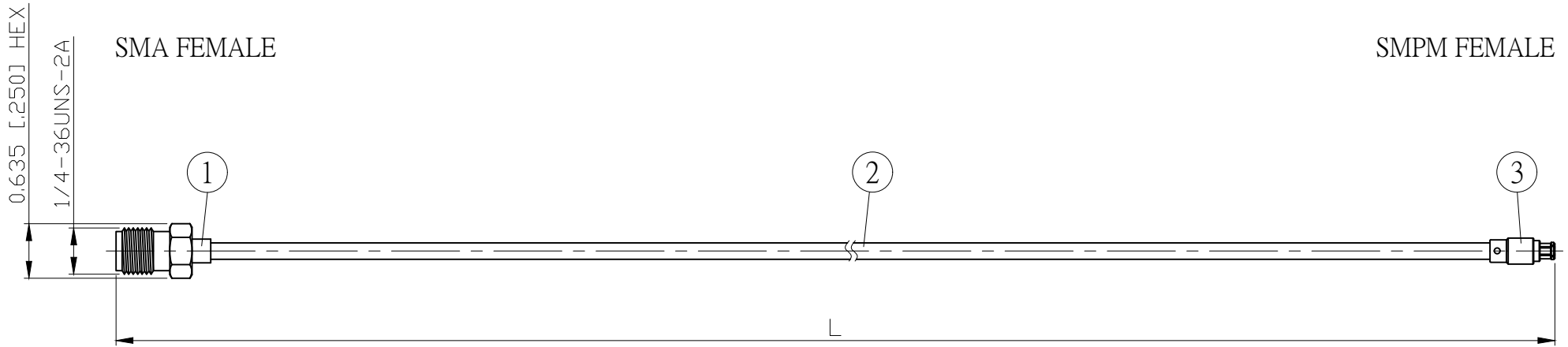


NO.	COMPONENTS	IMPEDANCE
1	SMA FEMALE	50 OHM
2	.085" TIN PLATED SEMI-RIGID CABLE (TIN PLATED RG405)	50 OHM
3	SMPM FEMALE	50 OHM

REVISION			
REV.	DESCRIPTION	DATE	APPROVED
-	INITIAL RELEASE	2022/04/12	



JYE BAO P/N	Freq. (GHz)	Max. Return Loss	L CM (INCH)	L1 M (MM)
A80PM80-85T-18GXXX	18	-16.5dB	50 (19.685)	0.490 (489.5)
			100 (39.370)	0.990 (989.5)
			150 (59.055)	1.490 (1489.5)
			200 (78.740)	1.990 (1989.5)
			CUSTOM LENGTH IN CM	- - -

				LENGTH TOLERANCE IS $\pm 1.5\%$ OR $\pm 10\text{MM}$, WHICHEVER IS GREATER.	STANDARD	REV -	UNIT CM(INCH)	JYE BAO CO., LTD. TAIPEI TAIWAN
					APPROVED	DATE		
					CHECKED	DATE		
3	SMPM8300-0085	SMPM JACK	1	EA	DRAWING		DATE	DESCRIPTION
2	.085TIN-W-P-50	CABLE	SEE TABLE L1	M	<i>Albert</i>			CABLE ASSEMBLY SMA JACK TO SMPM JACK
1	SMA8300-0085	SMA JACK	1	EA				JYE BAO DRAWING NO.
NO.	PARTS NO.	DESCRIPTION	QTY	U/M				A80PM80-85T-18GXXX