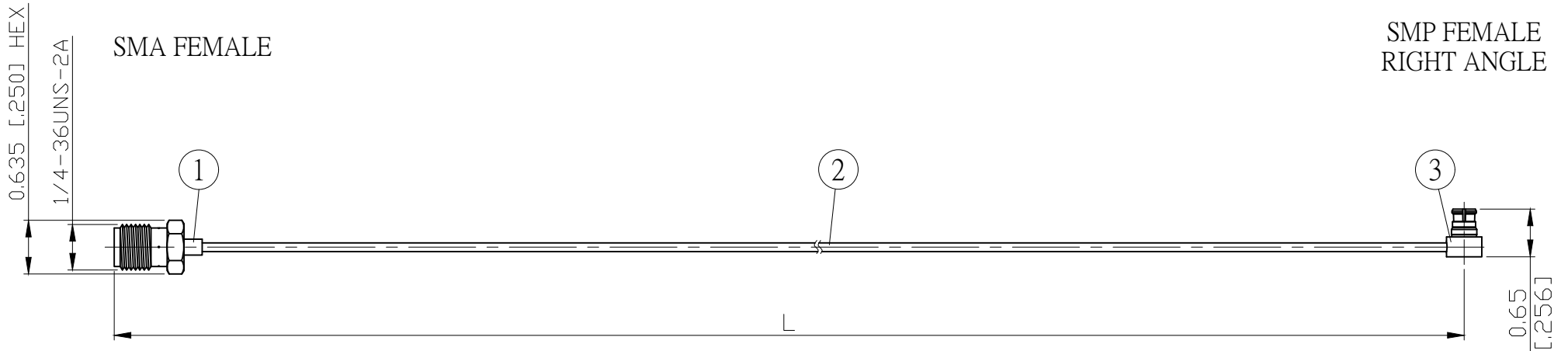


NO.	COMPONENTS	IMPEDANCE
1	SMA FEMALE	50 OHM
2	.047" TIN PLATED SEMI-RIGID CABLE	50 OHM
3	SMP FEMALE RIGHT ANGLE	50 OHM

REVISION			
REV.	DESCRIPTION	DATE	APPROVED
-	INITIAL RELEASE	2022/03/22	



JYE BAO P/N	Freq. (GHz)	Max. Return Loss	L CM (INCH)	L1 M (MM)
A80P89-47T-18GXXX	18	-16.5dB	50 (19.685)	0.495 (495.0)
			100 (39.370)	0.995 (995.0)
			150 (59.055)	1.495 (1495.0)
			200 (78.740)	1.995 (1995.0)
			CUSTOM LENGTH IN CM	- - -

					STANDARD	REV -	UNIT CM(INCH)	<b>JYE BAO CO., LTD.</b> TAIPEI TAIWAN	
					APPROVED				DATE
					CHECKED				DATE
					DRAWING <i>Albert</i>				DATE
3	SMP8300-9047	SMP JACK R/A	1	EA	DESCRIPTION CABLE ASSEMBLY SMA JACK TO SMP JACK R/A JYE BAO DRAWING NO. A80P89-47T-18GXXX				
2	.047TIN-W-P-50	CABLE	SEE TABLE L1	M					
1	SMA8300-0047	SMA JACK	1	EA					
NO.	PARTS NO.	DESCRIPTION	QTY	U/M					