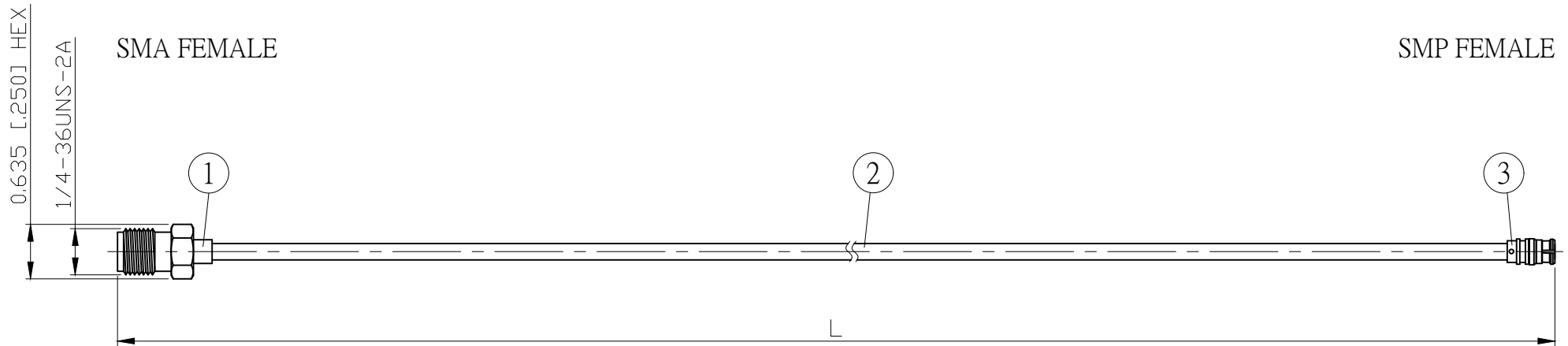


NO.	COMPONENTS	IMPEDANCE
1	SMA FEMALE	50 OHM
2	.085" HANDBENDABLE CABLE (= JYEBAO P/N .085SRF-W-P-50)	50 OHM
3	SMP FEMALE	50 OHM

REVISION			
REV.	DESCRIPTION	DATE	APPROVED
-	INITIAL RELEASE	2022/03/22	



JYE BAO P/N	Freq. (GHz)	Max. Return Loss	L CM (INCH)	L1 M (MM)
A80P80-85S-18GXXX	18	-16.5dB	50 (19.685)	0.492 (491.5)
			100 (39.370)	0.992 (991.5)
			150 (59.055)	1.492 (1491.5)
			200 (78.740)	1.992 (1991.5)
			CUSTOM LENGTH IN CM	- - -

				LENGTH TOLERANCE IS ±1.5% OR ±10MM, WHICHEVER IS GREATER.	STANDARD	REV -	UNIT CM(INCH)	<b>JYE BAO CO., LTD.</b> TAIPEI TAIWAN
					APPROVED	DATE		
					CHECKED	DATE		
					DRAWING <i>Albert</i>	DATE		
3	SMP8300-0085	SMP JACK	1	EA	DESCRIPTION			CABLE ASSEMBLY SMA JACK TO SMP JACK JYE BAO DRAWING NO. A80P80-85S-18GXXX
2	.085SRF-W-P-50	CABLE	SEE TABLE L1	M	DATE			
1	SMA8300-0085	SMA JACK	1	EA	DATE			
NO.	PARTS NO.	DESCRIPTION	QTY	U/M	DATE			