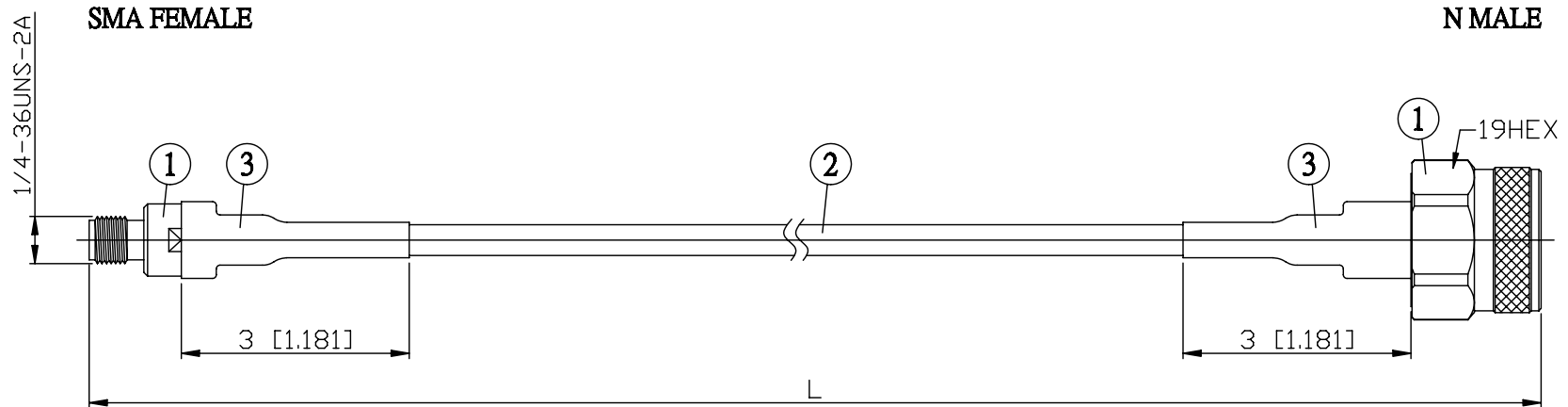


NO.	COMPONENTS	IMPEDANCE
1	SMA FEMALE	50 OHM
2	5004	50 OHM
3	HEAT SHRINKING TUBE	
4	N MALE	50 OHM

**TEST LEAD WITH EXTRA STURDY  
CABLE / CONNECTOR CONNECTION.**



JYE BAO P/N	Freq. (GHz)	Max. Return Loss	L CM (INCH)
A80N30-5004-18G50	18	-18dB	50 (19.685)
A80N30-5004-18G100			100 (39.370)
A80N30-5004-18G150			150 (59.055)
A80N30-5004-18G200			200 (78.740)
A80N30-5004-18GXXX			CUSTOM LENGTH IN CM

<p>LENGTH TOLERANCE IS ±1.5% OR ±10MM, WHICHEVER IS GREATER.</p>	<p><b>JYE BAO CO., LTD.</b></p> <p>TAIPEI TAIWAN</p>
	<p>DESCRIPTION</p> <p>CABLE ASSEMBLY SMA JACK TO N PLUG</p>
	<p>JYE BAO DRAWING NO.</p> <p>A80N30-5004-18GXXX</p>