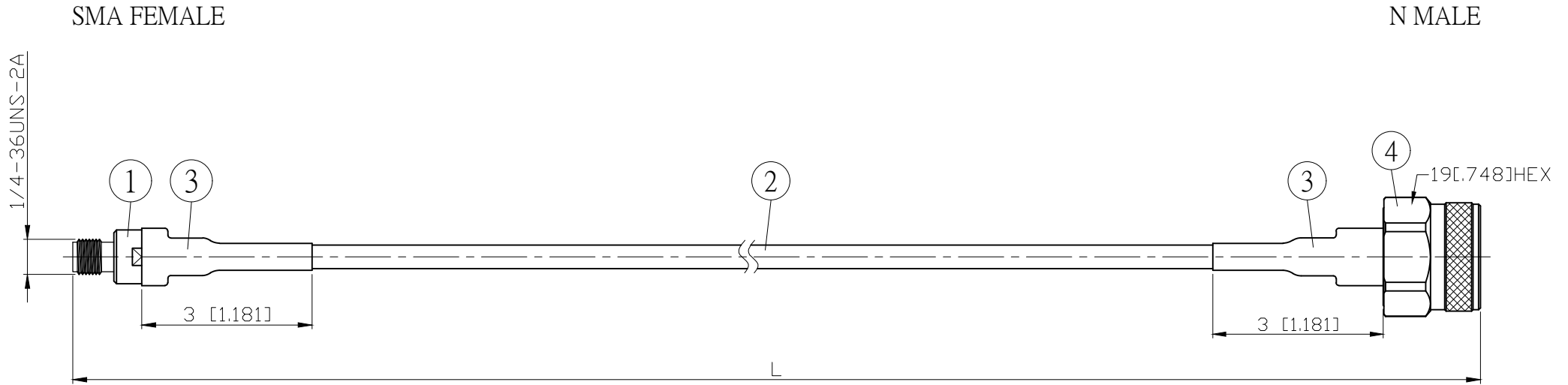


NO.	COMPONENTS	IMPEDANCE
1	SMA FEMALE	50 OHM
2	5003	50 OHM
3	HEAT SHRINKING TUBE	
4	N MALE	50 OHM

REVISION			
REV.	DESCRIPTION	DATE	APPROVED
-	INITIAL RELEASE	2020/08/10	

**TEST LEAD WITH EXTRA STURDY  
CABLE / CONNECTOR CONNECTION.**



JYE BAO P/N	Freq. (GHz)	Max. Return Loss	L CM (INCH)
A80N30-5003-18GXXX	18	-18dB	50 (19.685)
			100 (39.370)
			150 (59.055)
			200 (78.740)
			CUSTOM LENGTH IN CM

LENGTH TOLERANCE IS $\pm 1.5\%$ OR $\pm 10\text{MM}$ , WHICHEVER IS GREATER.	<b>JYE BAO CO., LTD.</b>
	TAIPEI TAIWAN
	DESCRIPTION CABLE ASSEMBLY SMA JACK TO N PLUG
	JYE BAO DRAWING NO. A80N30-5003-18GXXX