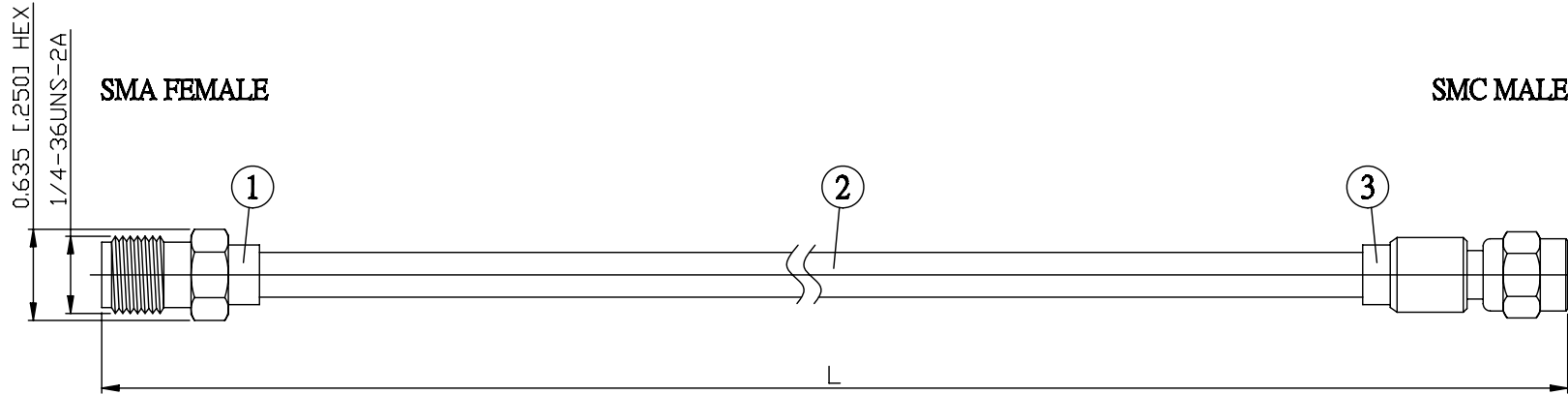


NO.	COMPONENTS	IMPEDANCE
1	SMA FEMALE	50 OHM
2	.141" TIN PLATED SEMI-RIGID CABLE (TIN PLATED RG402)	50 OHM
3	SMC MALE	50 OHM



JYE BAO P/N	L CM (INCH)
A80MC30-141T-15	15 (5.906)
A80MC30-141T-30	30 (11.811)
A80MC30-141T-50	50 (19.685)
A80MC30-141T-100	100 (39.370)
A80MC30-141T-150	150 (59.055)
A80MC30-141T-200	200 (78.740)
A80MC30-141T-XXX	CUSTOM LENGTH IN CM

LENGTH TOLERANCE IS ±1.5% OR ±10MM, WHICHEVER IS GREATER.	JYE BAO CO., LTD. TAIPEI TAIWAN
	DESCRIPTION CABLE ASSEMBLY SMA JACK TO SMC PLUG
	JYE BAO DRAWING NO. A80MC30-141T-XXX