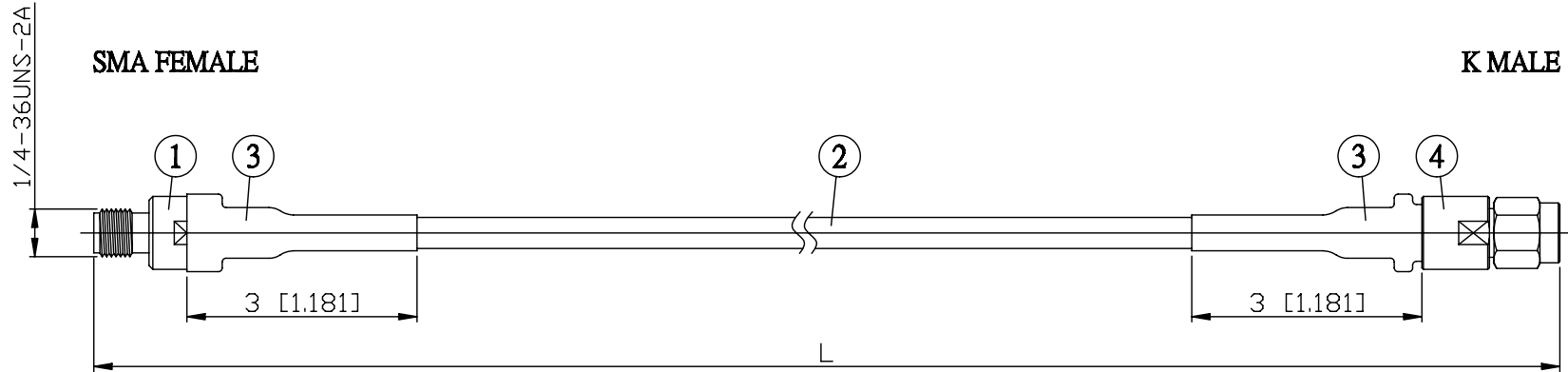


NO.	COMPONENTS	IMPEDANCE
1	SMA FEMALE	50 OHM
2	5004	50 OHM
3	HEAT SHRINKING TUBE	
4	K MALE	50 OHM

**TEST LEAD WITH EXTRA STURDY
CABLE / CONNECTOR CONNECTION.**



JYE BAO P/N	Freq. (GHz)	Max. Return Loss	L CM (INCH)
A80K30-5004-18G50	18	-20dB	50 (19.685)
A80K30-5004-18G100			100 (39.370)
A80K30-5004-18G150			150 (59.055)
A80K30-5004-18G200			200 (78.740)
A80K30-5004-18GXXX			CUSTOM LENGTH IN CM

LENGTH TOLERANCE IS $\pm 1.5\%$ OR $\pm 10\text{MM}$, WHICHEVER IS GREATER.	JYE BAO CO., LTD. TAIPEI TAIWAN
	DESCRIPTION CABLE ASSEMBLY SMA JACK TO K PLUG
	JYE BAO DRAWING NO. A80K30-5004-18GXXX