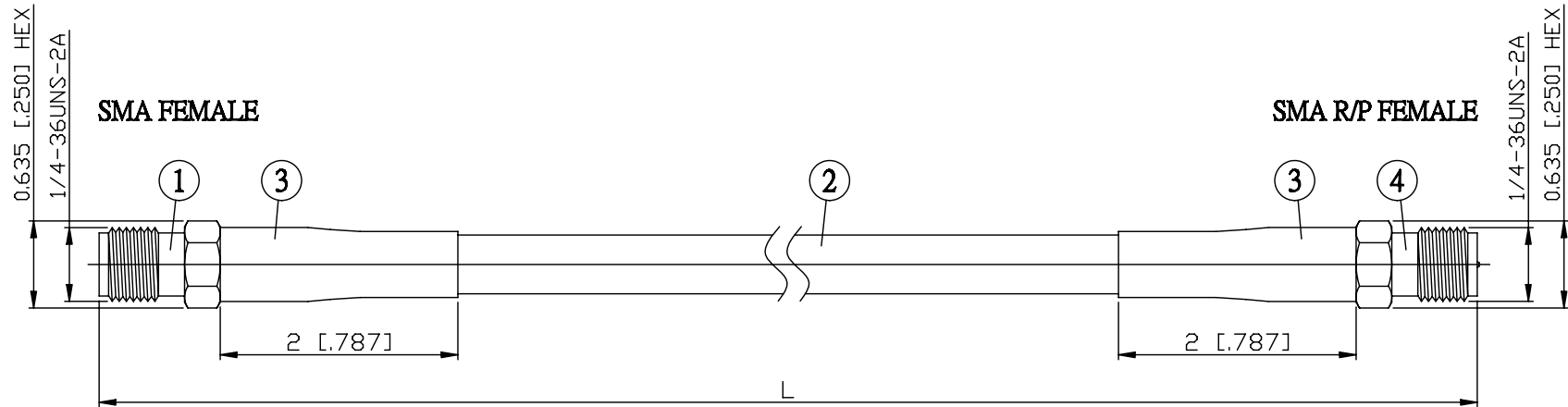


| NO. | COMPONENTS                  | IMPEDANCE |
|-----|-----------------------------|-----------|
| 1   | SMA FEMALE                  | 50 OHM    |
| 2   | JBY195                      | 50 OHM    |
| 3   | HEAT SHRINKING TUBE         |           |
| 4   | SMA REVERSE POLARITY FEMALE | 50 OHM    |



| JYE BAO P/N     | L<br>CM (INCH)         |
|-----------------|------------------------|
| A80A90-L195-15  | 15 (5.906)             |
| A80A90-L195-30  | 30 (11.811)            |
| A80A90-L195-50  | 50 (19.685)            |
| A80A90-L195-100 | 100 (39.370)           |
| A80A90-L195-150 | 150 (59.055)           |
| A80A90-L195-200 | 200 (78.740)           |
| A80A90-L195-XXX | CUSTOM<br>LENGTH IN CM |

|   |  |
|---|--|
| LENGTH TOLERANCE<br>IS $\pm 1.5\%$ OR $\pm 10\text{MM}$ ,<br>WHICHEVER IS<br>GREATER. | <b>JYE BAO CO., LTD.</b><br>TAIPEI TAIWAN              |
|   | DESCRIPTION<br>CABLE ASSEMBLY SMA JACK TO SMA R/P JACK |
|   | JYE BAO DRAWING NO.<br>A80A90-L195-XXX                 |