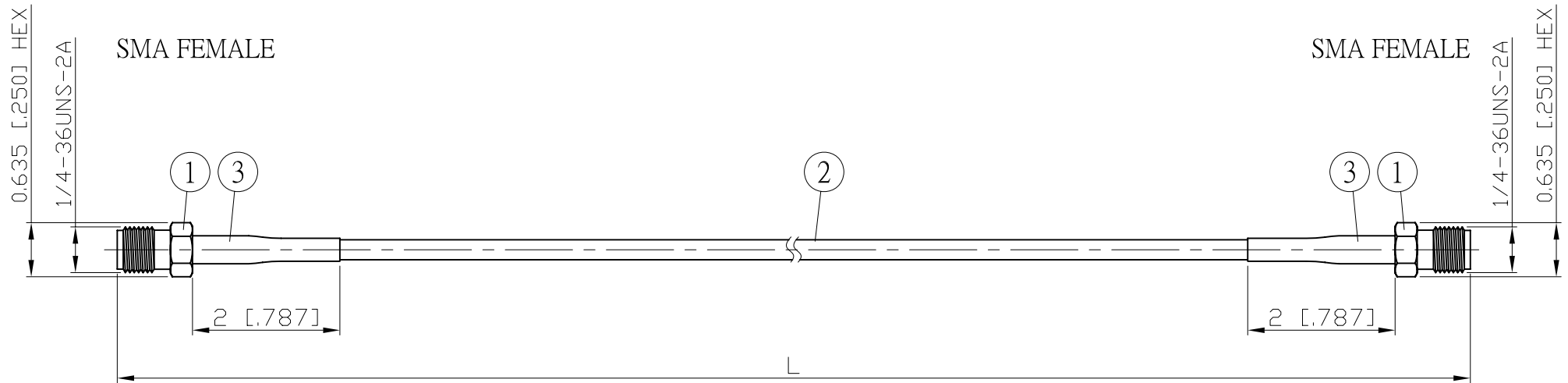


| NO. | COMPONENTS | IMPEDANCE |
|-----|---|-----------|
| 1 | SMA FEMALE | 50 OHM |
| 2 | .085" HANDBENDABLE CABLE WITH FEP JACKET (=JYEBAO P/N .085SRF-W-P-50-F) | 50 OHM |
| 3 | HEAT SHRINKING TUBE | |

| REVISION | | | |
|----------|-----------------|------------|----------|
| REV. | DESCRIPTON | DATE | APPROVED |
| - | INITIAL RELEASE | 2016/01/20 | |



| JYE BAO P/N | Freq. (GHz) | Max. Return Loss | L CM (INCH) |
|-------------------|-------------|------------------|------------------------|
| A80A80-85F-27GXXX | 27 | -17dB | 50 (19.685) |
| | | | 100 (39.370) |
| | | | 150 (59.055) |
| | | | 200 (78.740) |
| | | | CUSTOM LENGTH IN CM |

| | |
|--|--|
| LENGTH TOLERANCE IS $\pm 1.5\%$ OR $\pm 10\text{MM}$, WHICHEVER IS GREATER. | JYE BAO CO., LTD. |
| | TAIPEI TAIWAN |
| | DESCRIPTION CABLE ASSEMBLY SMA JACK TO SMA JACK |
| | JYE BAO DRAWING NO. A80A80-85F-27GXXX |