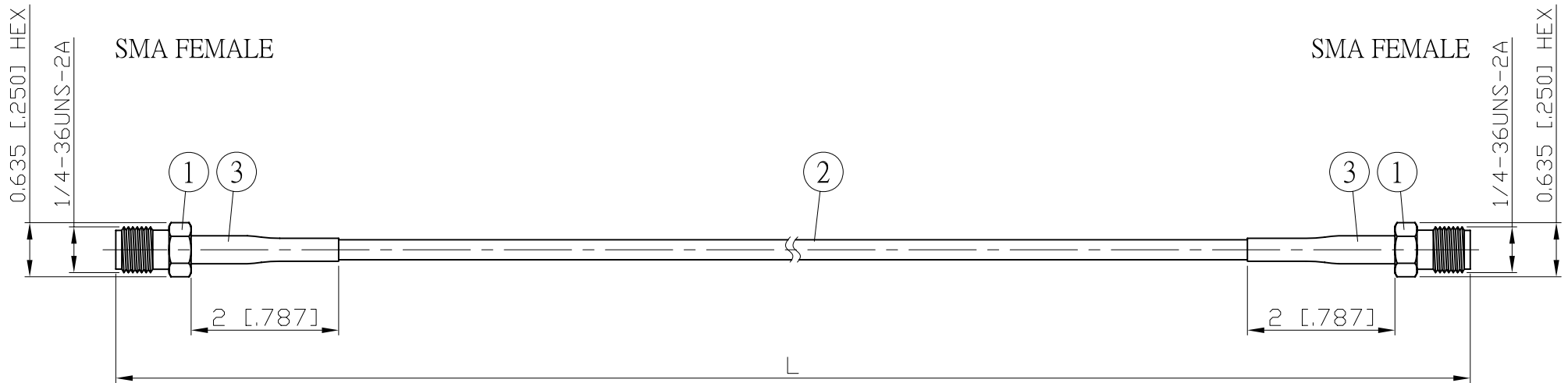


NO.	COMPONENTS	IMPEDANCE
1	SMA FEMALE	50 OHM
2	.085" HANDBENDABLE CABLE WITH FEP JACKET (=JYBAO P/N .085SRF-W-P-50-F)	50 OHM
3	HEAT SHRINKING TUBE	

REVISION			
REV.	DESCRIPTON	DATE	APPROVED
-	INITIAL RELEASE	2016/01/20	



JYE BAO P/N	Freq. (GHz)	Max. Return Loss	L CM (INCH)
A80A80-85F-18GXXX	18	-18dB	50 (19.685)
			100 (39.370)
			150 (59.055)
			200 (78.740)
			CUSTOM LENGTH IN CM

LENGTH TOLERANCE IS $\pm 1.5\%$ OR $\pm 10\text{MM}$, WHICHEVER IS GREATER.	JYE BAO CO., LTD.
	TAIPEI TAIWAN
	DESCRIPTION CABLE ASSEMBLY SMA JACK TO SMA JACK
	JYE BAO DRAWING NO. A80A80-85F-18GXXX